

# *the Tea Maker™ Compact*

BTM700/STM700



EN QUICK GUIDE

FR GUIDE RAPIDE

IT GUIDA RAPIDA

PT MANUAL RÁPIDO

DE KURZANLEITUNG

NL SNELSTARTGIDS

ES GUÍA RÁPIDA

# Sage®



## Contents

- 2 Important Safeguards
- 6 Components
- 8 Functions
- 10 Care & Cleaning
- 12 Troubleshooting
- 13 Guarantee

## **SAGE® RECOMMENDS SAFETY FIRST**

**At Sage® we are very safety conscious. We design and manufacture consumer products with the safety of you, our valued customer, foremost in mind. In addition we ask that you exercise a degree of care when using any electrical appliance and adhere to the following precautions.**

## **IMPORTANT SAFEGUARDS**

### **READ ALL INSTRUCTIONS BEFORE USE AND SAVE FOR FUTURE REFERENCE**

- A downloadable version of this document is also available at [sageappliances.com](http://sageappliances.com)
- Before using for the first time please ensure that your electricity supply is the same as shown on the rating label on the underside of the appliance. If you have any concerns please contact your local electricity company.
- Remove and safely discard any packaging materials before first use.
- To eliminate a choking hazard for young children, safely discard the protective cover fitted to the power plug.
- This appliance has been designed specifically for the purpose of heating and boiling quality drinking water and tea only. Under no circumstances should this product be used to heat or boil any other liquids or foodstuffs.
- Position the appliance on a stable, heat resistant, level, dry surface away from the edge and do not operate on or near a heat source such as a hot plate, oven or gas hob.

- Do not place the appliance on or near a hot gas burner, electric element or where it could touch a heated oven.
- Position the appliance at least 20cm from walls or heat/steam sensitive materials and provide adequate space above and on all sides for air circulation.
- Do not operate the kettle on sink drain board.
- Always ensure the appliance is properly assembled before connecting to a power outlet and operating. Follow the instructions provided in this book.
- The installation of a residual current safety switch is recommended to provide additional safety when using all electrical appliances. Safety switches with a rated operating current not more than 30mA are recommended. Consult an electrician for professional advice.
- The glass jug must be used only with the power base supplied. Do not use on a range top.
- The appliance is not intended to be operated by means of an external timer or separate remote control system.
- Do not touch hot surfaces. Use the handle for lifting and carrying the glass jug.
- Attach the jug lid securely to the glass jug before operation.
- Do not place anything on top of the lid.
- Do not open the jug lid during operation as scalding may occur.
- Extreme caution must be used when moving the glass jug containing hot liquid.
- Use caution when pouring water from the glass jug as boiling water and steam will scald. Do not pour the water too quickly.
- To avoid scalding, never fill the glass jug past the 'WATER MAX' (when heating water) or 'TEA MAX' (when brewing tea) line markings.
- Do not operate the appliance without water. Always fill the glass jug to at least the 'MIN' marking. Should it be operated without water, the boil-dry protection will shut the power off automatically. Allow the appliance to cool before refilling.

**WARNING**

- Do not remove the glass jug from the power base during heating or when the basket is in operation. Ensure the appliance has completed the water heating or tea brewing cycle before removing the glass jug from the power base.

- The use of accessory attachments not recommended by Sage® may result in fire, electric shock or injury to persons.
- Always ensure the appliance is turned OFF, unplugged at the power outlet and has been allowed to cool before cleaning, attempting to move or storing.
- When the appliance is not in use or when left unattended, disconnect the power cord from the wall outlet.
- Allow the appliance to cool down in between brewing cycles.
- Keep the glass jug clean. Follow the cleaning instruction provided in this book.
- Do not use harsh abrasives or caustic cleaners when cleaning this appliance.
- Children should not play with the appliance.
- The glass jug has been specially treated to make it stronger, more durable and safer than ordinary glass, however it is not unbreakable. If dropped or struck extremely hard, it may break or weaken, and could at a later time shatter into many small pieces without apparent cause.
- Any maintenance other than cleaning should be performed by an authorised Sage® service centre.
- The appliance can be used by children aged 8 or older and persons with reduced physical, sensory or mental capabilities or a lack of experience and knowledge, only if they have been given supervision or instruction concerning use of the appliance in a safe way and understand the hazards involved.
- Children should not play with the appliance.
- Always turn the appliance to the OFF position, switch off at the power outlet and unplug at the power outlet when the appliance is not in use.

 **WARNING**

- Do not wash jug exterior under running water.



# IMPORTANT SAFEGUARDS FOR ALL ELECTRICAL APPLIANCES

- Fully unwind the power cord before operating.
- This appliance is for household use only. Do not use the appliance for anything other than its intended use. Do not use in moving vehicles or boats. Do not use outdoors. Misuse may cause injury.
- Do not let the power cord hang over the edge of a bench or table, touch hot surfaces or become knotted.
- Close supervision is necessary when any appliance is used by or near children.
- Cleaning of the appliance should not be carried out by children unless they are 8 years or older and supervised.
- The appliance and its cord should be kept out of reach of children aged 8 years and younger.
- Do not use the appliance if the power cord, power plug, or appliance becomes damaged in any way.

If damaged and maintenance other than cleaning is required please contact Sage Customer Service or go to [sageappliances.com](http://sageappliances.com)



## WARNING

- Do not operate the appliance on an inclined surface.
- Do not move the appliance while it is switched on.



The symbol shown indicates that this appliance should not be disposed of in normal household waste.

It should be taken to a local authority waste collection centre designated for this purpose or to a dealer providing this service. For more information, please contact your local council office.

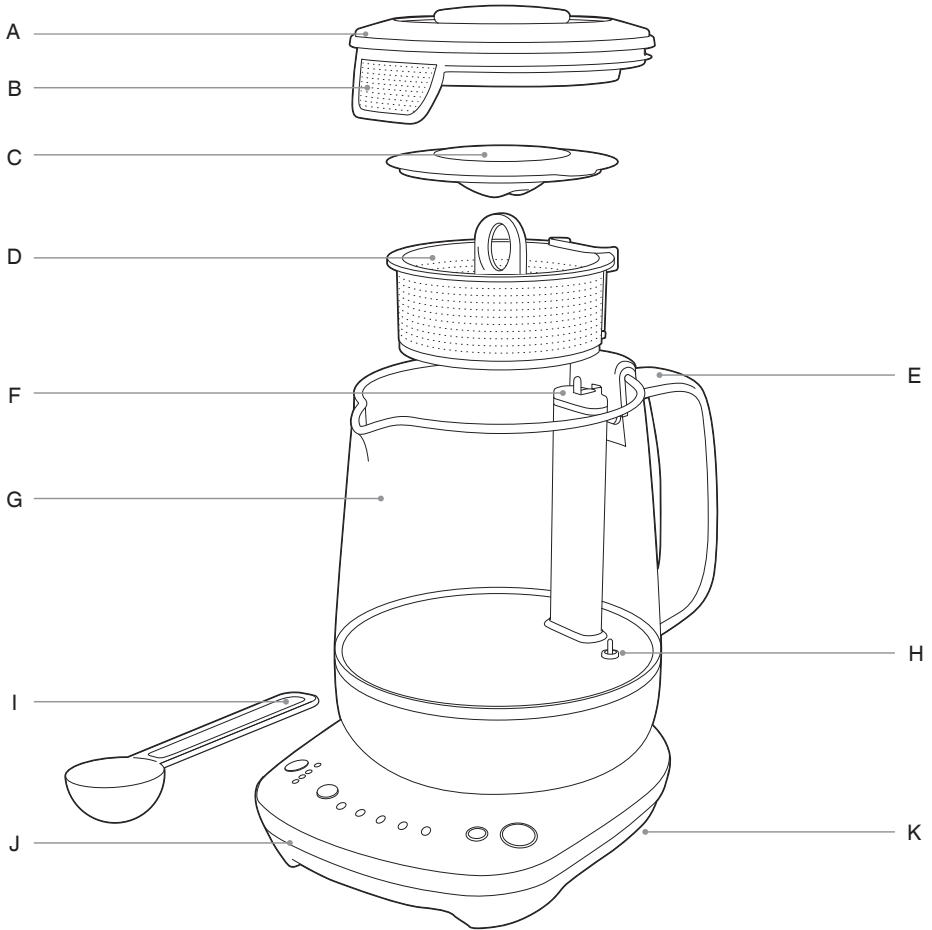


To protect against electric shock, do not immerse the glass jug base, power base, power cord or power plug in water or allow moisture to come in contact with these parts. Avoid spilling water onto the power base's connector. Do not immerse the glass jug or the power base for cleaning.

# SAVE THESE INSTRUCTIONS



# Components



A. Jug Lid

B. Scale Filter

C. Tea Basket Lid

D. Tea Basket

E. Handle

F. Jug Post

G. Glass Jug

1000ml water max. 800ml tea max.

H. Immersed Temperature Sensor

I. Tea Scoop

J. Power Base

K. Cord Storage

Concealed under power base.

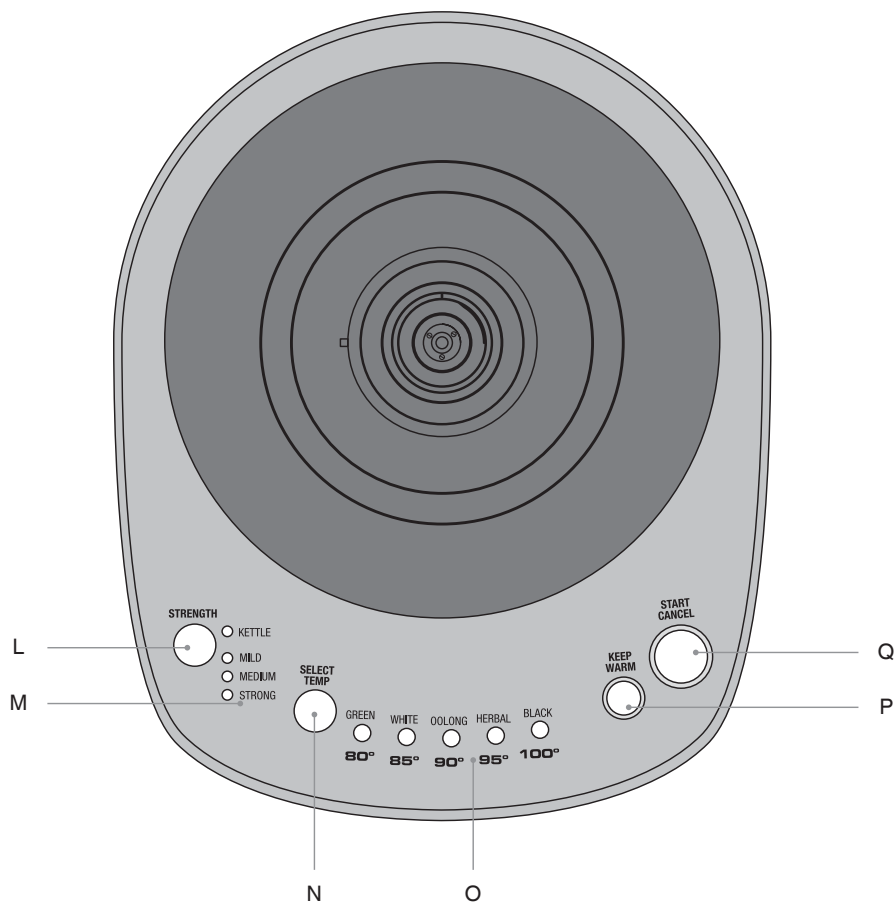


## Rating Information

220-240V ~ 50-60Hz 1380W-1600W



## Components



### L. STRENGTH button

Preset brew times recommended for mild, medium and strong brews of each tea type.

### M. Tea strength indicator

### N. SELECT/TEMP button

Select the tea type/brew temperature recommended for green, white, oolong, herbal and black teas.

### O. Temperature/tea type indicator

### P. KEEP WARM button

Keeps brewed tea or heated water warm for up to 60 minutes.

### Q. START/CANCEL button

Starts and stops the heating cycle.



## Functions

### BEFORE FIRST USE

In order to remove any dust or protective residues from the manufacturing process, it is recommended to run a boiling cycle then discard the water.

1. Remove and safely discard any packing material, promotional labels and tape from the Tea Maker™ Compact.
2. Remove the jug lid then remove the tea basket from the magnetic jug post within the glass jug. Wash the jug lid, tea basket, basket lid and tea scoop in warm soapy water with a soft sponge; rinse and dry thoroughly.



### WARNING

Never immerse the base of the glass jug, the power base, power cord or power plug in water or allow moisture to come into contact with these parts.

3. Place the power base on a flat, dry surface.
4. Without the tea basket in place, fill the glass jug to the WATER MAX marking (1000ml) and place on the power base. Securely fit the jug lid onto the glass jug.



### WARNING

Never fill the glass jug with chilled water. Allow the Tea Maker™ Compact to cool before refilling.



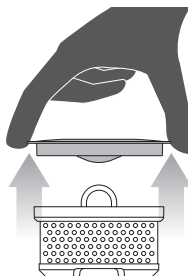
### WARNING

Filling past the MAX line may result in serious burns or injuries as a result of overflowing hot or boiling water. Filling below the MIN line will result in the Tea Maker™ Compact switching off before the water has boiled or reached the selected temperature.

5. Unwind the power cord completely and insert the power plug into a grounded wall outlet.
6. Use the SELECT/TEMP button to select BLACK / 100°, then select the START/ CANCEL button. The light will change from red to white, indicating that the heating cycle is in progress.
7. Once the water has reached the selected temperature, the tea maker will beep once.
8. Discard the water. The Tea Maker™ Compact is now ready for use.

### BREWING TEA

1. Fill the glass jug with the desired amount of water. Ensure that you fill past the MIN mark and equal to or below the MAX mark. Note the MAX mark when brewing tea is 800ml.
2. Place the tea basket on a flat, dry surface. Remove the basket lid by lifting it from the sides.



3. Use the provided tea scoop to fill the tea basket with tea leaves. As a general guide, use 1 scoop of tea per cup / 250ml of water; however, this will depend on the tea instructions and your personal preference.

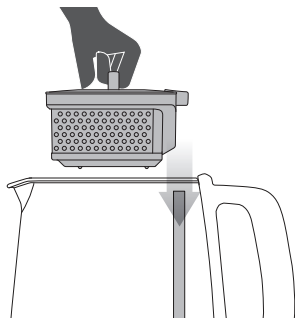
### Water to tea scoop ratio

500mL	2 scoops
-------	----------

750mL	3 scoops
-------	----------

4. Replace the basket lid and ensure it is securely clipped into place.
5. Attach the tea basket to the jug post inside the glass jug.





- Replace the jug lid securely onto the glass jug, ensuring the filter aligns with the jug spout.

## SELECTING THE TEA TYPE

- The tea type determines the brew temperature. The Tea Maker™ Compact has 5 preset tea types recommend for optimal brewing of Green, White, Oolong, Herbal and Black teas.

TEA TYPE		Green	White	Oolong	Herbal	Black
<b>Preset Brew Temp</b>		80°C	85°C	90°C	95°C	100°C
<b>Strength (mins)</b>	<b>Mild</b>	2	3	3	4	3
	<b>Medium</b>	3	4	4	5	4
	<b>Strong</b>	4	5	5	6	5



## NOTE

This product is not calibrated for commercial or scientific use. Temperatures may vary  $\pm 3^{\circ}\text{C}$ , which is within range for optimal brewing for each tea variety.

- Press the SELECT / TEMP button until the desired tea/temperature is illuminated. The desired brew strength determines the brew times. The correct brew time depends on the tea type and your personal preference of strength. The Tea Maker™ Compact allows you to choose from mild, medium and strong tea brews.

- Press the STRENGTH button to select the desired strength / steeping time. Refer to the TEA TYPE table above for steeping times. Selecting the kettle setting will boil water to the desired temperature but will not operate the tea basket.
- Press the START / CANCEL button to start heating.
- Once the selected brew temperature is reached, the tea basket will automatically lower into the heated water. It will stay in this position until the brew time has lapsed.
- At the end of the tea brewing cycle, the tea basket will automatically rise to the top of the glass jug to prevent over-brewing. The tea alert will sound 3 times, to indicate your tea is ready.



## WARNING

The tea basket is hot to touch after the tea is brewed. Ensure that the tea basket handle has cooled before handling.

## KEEP WARM

If selected prior to heating, keep warm will last for 60 minutes after tea is brewed. When the glass jug is removed from the power base, the keep warm function will cancel.

To reactivate for another 60 minutes place the glass jug with the remaining tea back on the power base and press KEEP WARM, the light will illuminate when this is selected.

## BOILING WATER

To boil water, remove the tea basket and fill the glass jug with water. Replace the jug lid and place the glass jug on the power base. Select the desired temperature by pressing the SELECT / TEMP button then press the STRENGTH button to select KETTLE.



## Care & Cleaning

### CLEANING THE GLASS JUG

- After each use, empty the glass jug. Do not allow brewed tea to stand overnight. Allow the glass jug to fully cool before cleaning.
- Wipe the interior of the glass jug with a soft damp sponge or rinse with warm water.
- Wipe the exterior of the glass jug with a soft damp cloth to clean.



### WARNING

Never immerse or wash exterior of glass jug under running water.



### NOTE

Do not use chemicals, steel wool, or abrasive cleaners to clean the inside or outside of the glass jug as these may scratch the surface.

- To remove the build-up of tannin; the astringent chemical constituent of tea, remove the tea basket, fill the glass jug with water up to the MAX mark, bring water

to the boil and allow to cool for one minute. Add the contents of the Sage Tea Maker Cleaner (available at Sage web page) and allow to stand for 5 minutes.

Empty tea maker, refill with fresh water and bring water to the boil. Repeat this step again then rinse the inside of the glass jug thoroughly. Dry thoroughly with a soft, lint-free cloth before using.



### NOTE

Through regular use over time, scale build-up can affect the performance and the life of the Tea Maker™ Compact. Lime and phosphate are common forms of scale that can damage your Sage Tea Maker™ Compact. Lime scale, a harmless mineral, comes in the appearance of white-coloured or rusty looking build up on the inner walls and inner base of the glass jug. Phosphate scale can't be seen; however it can cause the water to appear cloudy when heated. To prevent scale from damaging your Tea Maker™ Compact, ensure to descale the glass jug regularly. Use the Sage Descaler (available at Sage web page) and follow the instructions.



### WARNING

Causes skin irritation. Wash hands thoroughly after handling. Wear protective gloves/protective clothing/eye protection/face protection.



### NOTE

Allow all parts of the Tea Maker™ Compact to cool completely before disassembling and cleaning.



### WARNING

Never immerse the base of the glass jug, jug lid, power base, power cord or power plug in water or allow moisture to come in contact with these parts.

## **CLEANING THE BASKET**

- Wash the basket lid and tea basket in warm, soapy water with a soft sponge, then rinse and dry thoroughly.
- A non-abrasive liquid cleanser or mild spray solution may be used to avoid build-up of stains on the basket. Apply the cleaner to the sponge, not directly onto the basket surface, before cleaning.
- Let all surfaces dry thoroughly before using.

## **CLEANING THE POWER BASE**

- Wipe the power base with a soft-damp sponge.
- Let all surfaces dry thoroughly prior to inserting the power plug into the wall outlet.

## **STORAGE**

- Ensure the Tea Maker™ Compact is switched off, cleaned and completely dry before storing.
- Ensure that the tea basket is correctly assembled.
- Ensure that the jug lid is securely in place on the glass jug.
- Wrap the power cord around the power cord storage under the power base.

Store the Tea Maker™ Compact upright on the power base. Do not store anything on top.



# Troubleshooting

## PROBLEM

## WHAT TO DO

---

**The Tea Maker™ Compact does not switch on**

- Check the power plug is securely inserted into the outlet.
- Insert the power plug into an independent outlet.
- Insert the power plug into a different outlet.
- Reset the circuit breaker if necessary.
- For additional safety the Tea Maker™ Compact is fitted with a thermal cut out. In the event of severe overheating, the Tea Maker™ Compact will automatically shut down to prevent further damage

---

**The Tea Maker™ Compact power base does not illuminate and functions cannot be selected.**

- Remove the power plug from the wall outlet, then reinsert. Remove and replace the glass jug from the power base. All buttons should now illuminate and the Tea Maker™ Compact is ready for use.

---

**The Tea Maker™ Compact does not work**

- Check the glass jug is securely positioned on the power base.

---

**I cannot select a certain function**

- Certain features cannot be selected or changed during the heating or brewing cycle. LED lights surrounding the buttons will indicate the availability of the functions.

---

**After boiling water, bubbles appear around the temperature sensor**

- This is normal for the functionality of the Tea Maker™ Compact.

---

**My tea tastes too weak or too strong**

- Ensure the correct strength was selected prior to brewing.
- Follow the cleaning instructions in this booklet.

---

**The tea basket is not moving**

- The tea basket will not move during the heat up cycle.
  - The tea basket will only start moving once the selected temperature has been reached. The tea basket will remain lowered until the steeping time has passed.
  - Remove the plug from the wall outlet, wait 10 seconds then reinsert the plug.
-



## Guarantee

### **2 YEAR LIMITED GUARANTEE**

Sage Appliances guarantees this product for domestic use in specified territories for 2 years from the date of purchase against defects caused by faulty workmanship and materials. During this guarantee period Sage Appliances will repair, replace, or refund any defective product (at the sole discretion of Sage Appliances).

All legal warranty rights under applicable national legislation will be respected and will not be impaired by our guarantee. For full terms and conditions on the guarantee, as well as instructions on how to make a claim, please visit [www.sageappliances.com](http://www.sageappliances.com).



**Note**

# *the Tea Maker™ Compact*



DE KURZANLEITUNG

# Sage®



## Inhalt

- 2 Wichtige Sicherheitshinweise
- 6 Bestandteile
- 8 Funktionen
- 10 Pflege und Reinigung
- 12 Störungsbehebung
- 13 Garantie

## **SAGE® EMPFIEHLT: SICHERHEIT GEHT VOR**

**Wir bei Sage® sind sehr sicherheitsbewusst. Beim Design und bei der Herstellung denken wir zuallererst an Ihre Sicherheit. Wir bitten Sie, bei der Verwendung jedes Elektrogeräts angemessene Sorgfalt anzuwenden und sich an die folgenden Vorsichtsmaßnahmen zu halten.**

## **WICHTIGE SICHERHEITS- HINWEISE**

**BITTE ALLE ANWEISUNGEN  
VOR GEBRAUCH LESEN  
UND FÜR ALLE FÄLLE  
AUFBEWAHREN**

- Die komplette Informationsbroschüre ist unter [sageappliances.com](http://sageappliances.com) verfügbar
- Bitte vergewissern Sie sich vor dem ersten Gebrauch, dass die Netzspannung dem auf der Unterseite des Geräts angezeigten Wert entspricht. In Zweifelsfällen wenden Sie sich bitte an Ihr lokales Elektrizitätsunternehmen.
- Verpackung vor dem ersten Gebrauch vorsichtig entfernen und entsorgen.
- Schutzhülle am Netzstecker sicher entsorgen, da sie für Kleinkinder eine Erstickungsgefahr darstellen könnte.
- Dieses Gerät wurde speziell zum Kochen von Trinkwasser und für die Zubereitung von Tee konzipiert. Unter keinen Umständen darf es zum Erwärmen oder Kochen anderer Flüssigkeiten oder Lebensmittel verwendet werden.
- Stellen Sie das Gerät auf eine stabile, hitzebeständige, ebene, und trockene Fläche in einem sicheren Abstand zur Kante und betreiben Sie es nicht in der Nähe einer Hitzequelle (Heizplatte, Herd, Gaskochfeld).
- Stellen Sie das Gerät nicht in die Nähe eines heißen Gaskochers, eines elektrischen Kochelements oder Ofens auf.
- Stellen Sie das Gerät mindestens 20 cm entfernt von Wänden oder hitze-/dampfeempfindlichen Materialien auf und lassen Sie oberhalb und an den Seiten des Geräts ausreichend Raum für die Luftzirkulation.



- Betreiben Sie den Wasserkocher nicht auf der Abtropffläche des Spülbeckens.
- Vergewissern Sie sich, dass das Gerät richtig zusammengesetzt wurde, bevor Sie es an das Stromnetz anschließen und in Betrieb nehmen. Folgen Sie dazu den Anweisungen in dieser Broschüre.
- Die Glaskanne darf nur mit dem mitgelieferten Stromsckel betrieben werden. Stellen Sie die Kanne nicht auf ein Kochfeld.
- Dieses Gerät ist nicht dafür gedacht, über einen externen Zeitschalter oder eine separate Fernbedienung bedient zu werden.
- Fassen Sie das Gerät nicht an der heißen Oberfläche an. Verwenden Sie den Henkel zum Anheben und Tragen der Glaskanne.
- Vor der Inbetriebnahme muss der Deckel sicher auf die Glaskanne gesetzt werden.
- Stellen Sie keine Gegenstände auf den Deckel.
- Öffnen Sie den Deckel der Kanne nicht, während die Kanne in Betrieb ist, um Verbrühungen zu vermeiden.
- Äußerste Vorsicht ist geboten, wenn Sie die Kanne bewegen, während sich heiße Flüssigkeit darin befindet.
- Seien Sie vorsichtig, wenn Sie Wasser aus der Glaskanne gießen, denn kochendes Wasser und heißer Dampf verursachen Verbrühungen. Gießen Sie das Wasser nicht zu schnell aus.
- Um Verbrühungen zu vermeiden, füllen Sie die Glaskanne nie über die Höchstfüllmarke „WATER MAX“ (maximale Wassermenge) beim Wasserkochen bzw. „TEA MAX“ (maximale Teemenge) beim Teebrühen.
- Nehmen Sie das Gerät nicht in Betrieb, wenn es leer ist. Füllen Sie die Glaskanne immer mindestens bis zur Markierung „MIN“. Sollte das Gerät dennoch ohne Wasser in Betrieb genommen werden, schaltet der Sicherheitsschutz die Stromzufuhr automatisch ab. Lassen Sie das Gerät abkühlen, bevor Sie es nachfüllen.



#### WARNUNG

- Entfernen Sie die Glaskanne während des Erhitzens oder beim Bewegen des Teekorbs nicht vom Stromsckel. Vergewissern Sie sich, dass das Gerät mit dem Wassererhitzen oder Teebrühen fertig ist, bevor Sie die Glaskanne vom Stromsckel nehmen.
- Das Benutzen von Zubehör, das nicht von Sage® empfohlen wird, kann zu Bränden, Stromschlag und Verletzungen führen.
- Stellen Sie sicher, dass das Gerät abgeschaltet („OFF“) und vom Stromnetz getrennt ist, und lassen Sie es abkühlen, bevor Sie es reinigen, transportieren oder versorgen.

- Wenn das Gerät nicht benutzt wird oder unbeaufsichtigt ist, ziehen Sie den Netzstecker aus der Steckdose.
- Lassen Sie das Gerät zwischen Kochvorgängen abkühlen.
- Halten Sie die Glaskanne sauber. Befolgen Sie die Reinigungsanleitung in dieser Broschüre.
- Verwenden Sie keine scharfen Scheuermittel oder ätzende Lösungen zur Reinigung des Geräts.
- Das Gerät ist kein Spielzeug für Kinder.
- Die Glaskanne wurde speziell behandelt, um sie härter, widerstandsfähiger und sicherer als gewöhnliches Glas zu machen. Sie ist jedoch nicht unzerbrechlich. Wenn sie fallen gelassen oder extrem hart angeschlagen wird, kann sie zerbrechen oder geschwächt werden und könnte zu einem späteren Zeitpunkt ohne offenkundige Ursache zersplittern.
- Mit Ausnahme der Reinigung müssen sämtliche Wartungsarbeiten von einer autorisierten Sage® Kundendienststelle durchgeführt werden.
- Dieses Gerät darf von Kindern ab 8 Jahren und Personen mit eingeschränkten körperlichen, sensorischen oder geistigen Fähigkeiten oder Personen, denen es an Erfahrung und Kenntnis mangelt, nur unter

Beaufsichtigung benutzt werden oder wenn sie in die sichere Handhabung des Geräts eingewiesen wurden und die damit verbundenen Gefahren verstehen.

- Das Gerät ist kein Spielzeug für Kinder.
- Schalten Sie das Gerät immer aus, schalten Sie ggf. den Strom an der Steckdose ab und ziehen Sie bei Nichtgebrauch den Netzstecker.



### WARNUNG

- Waschen Sie die Außenseite der Kanne nicht unter fließendem Wasser.



## WICHTIGE SICHERHEITSHINWEISE FÜR ALLE ELEKTRO-RISCHEN GERÄTE

- Rollen Sie das Kabel vor Inbetriebnahme ganz aus.
- Dieses Gerät ist nur für den Hausgebrauch bestimmt. Gerät nur bestimmungsgemäß verwenden. Nicht in fahrenden Fahrzeugen oder Booten verwenden. Nicht im Freien verwenden. Missbrauch kann Verletzungen nach sich ziehen.

- Achten Sie darauf, dass das Kabel nicht über die Kante einer Arbeitsfläche oder eines Tisches hängt, heiße Oberflächen berührt oder sich verknotet.
- Strenge Beaufsichtigung ist notwendig, wenn das Gerät von Kindern bzw. in der Umgebung von Kindern verwendet wird.
- Das Gerät darf nur von Kindern über 8 Jahre und unter Beaufsichtigung gereinigt werden.
- Gerät und Kabel müssen außerhalb der Reichweite von Kindern unter 8 Jahren aufbewahrt werden.
- Benutzen Sie das Gerät nicht, wenn das Stromkabel, der Netzstecker oder das Gerät selbst in irgendeiner Weise beschädigt sind. Im Falle von Beschädigungen oder Wartungsarbeiten, die über die gewöhnliche Reinigung hinausgehen, kontaktieren Sie bitte den Sage Kundendienst oder besuchen Sie [sageappliances.com](http://sageappliances.com)



### WARNUNG

- Betreiben Sie das Gerät nicht auf einer geneigten Fläche.
- Bewegen Sie das Gerät nicht im eingeschalteten Zustand.



Dieses Symbol bedeutet, dass das Gerät nicht mit dem gewöhnlichen Haushaltsmüll entsorgt

werden darf. Stattdessen muss es zu einer für diesen Zweck eingerichteten behördlichen Sammelstelle oder zu einem Händler gebracht werden, der Entsorgung anbietet. Weitere Informationen dazu erhalten Sie bei Ihrem Gemeindeamt.

Die Installation eines Schutz- oder Sicherheitsschalters wird bei der Verwendung von Elektrogeräten als zusätzliche Schutzmaßnahme empfohlen. Es wird ein Sicherheitsschalter mit einer Nennleistung von maximal 30 mA empfohlen. Fachgerechte Beratung erhalten Sie von Ihrem Elektriker.

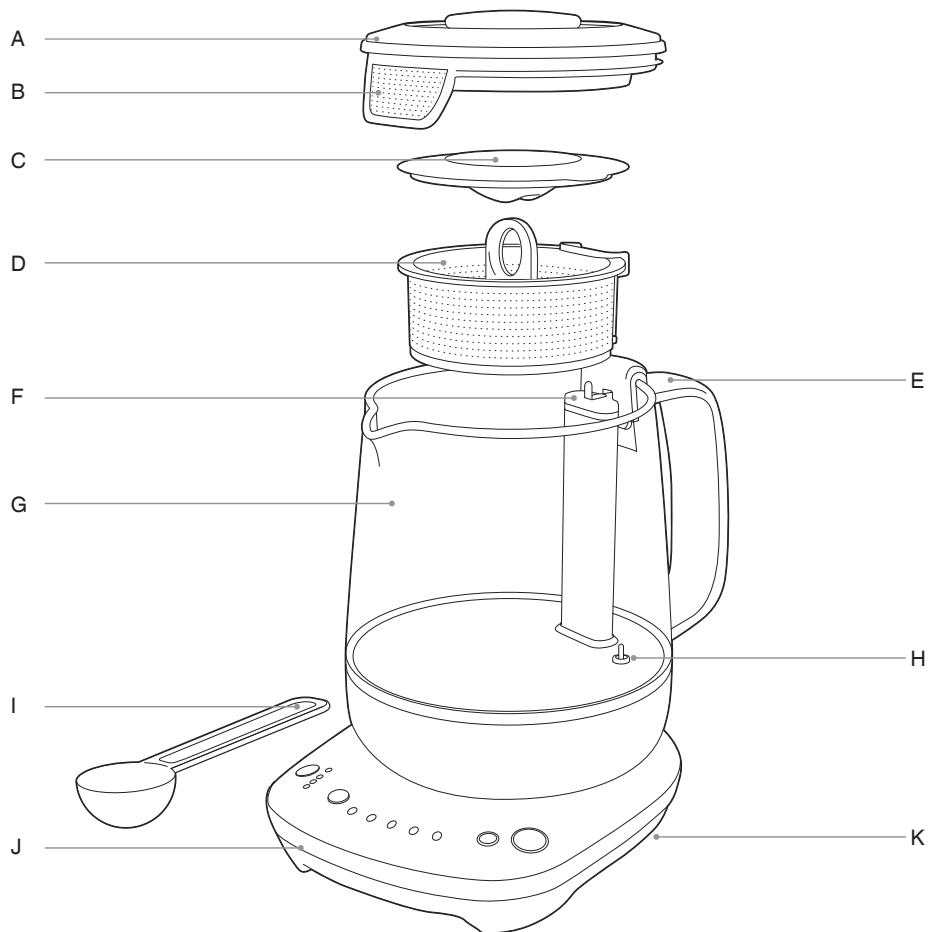


Um sich vor Stromschlag zu schützen, tauchen Sie niemals den Boden der Teekanne, den Stromsockel, das Stromkabel oder den Netzstecker in Wasser und achten Sie darauf, dass diese Teile nicht feucht werden. Achten Sie darauf, dass kein Wasser auf den Sockelanschluss spritzt. Tauchen Sie die Glaskanne oder den Stromsockel beim Reinigen nicht ins Wasser.

# ANLEITUNG BITTE AUFBEWAHREN



## Bestandteile



A. Kanneendeckel

B. Edelstahl-Kalkschutzfilter

C. Teekorbdeckel

D. Edelstahl-Teekorb

E. Henkel

F. Kannensäule

G. Glaskanne

1.000 ml Wasser max. 800 ml Tee max.

H. Eingebauter Temperatursensor

I. Tee-Messlöffel

J. Stromssockel

K. Kabelaufbewahrung  
Unter Stromssockel.

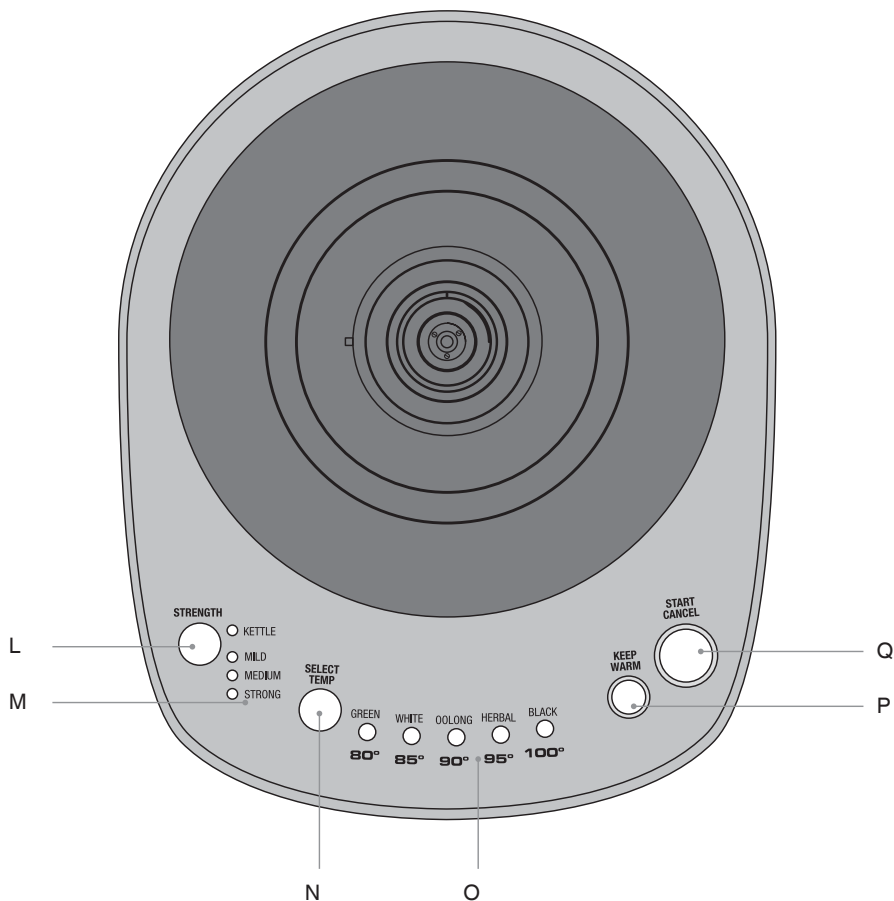


### Leistungsinformationen

220-240V ~ 50-60Hz 1380W-1600W



## Bestandteile



### L. STRENGTH-Taste (TEESTÄRKE)

Vorprogrammierte Brühzeiten für mild, mittel und stark für unterschiedliche Teesorten.

### M. Teestärke-Anzeige

### N. SELECT/TEMP-Taste (AUSWAHL/TEMPERATUR)

Wählen Sie die empfohlene Teesorte/Brühtemperatur für grünen, weißen, Oolong-, Kräuter- oder schwarzen Tee.

### O. Temperatur-/Teesortenanzeige

### P. KEEP WARM-Taste (Warmhalten)

Hält gebrühten Tee oder erhitztes Wasser für bis zu 60 Minuten warm.

### Q. START/CANCEL-Taste (START/ABRECHEN)

Startet bzw. beendet den Erhitzungsvorgang.



## Funktionen

### VOR DEM ERSTEN GEBRAUCH

Um Staub oder Rückstände aus dem Herstellungsprozess zu entfernen, wird empfohlen, einen Kochdurchgang zu durchlaufen und dann das Wasser wegzugießen.

1. Entfernen und entsorgen Sie jegliches Verpackungsmaterial, Aufkleber und Klebband vom Tea Maker™ Compact.
2. Entfernen Sie den Kannendeckel und nehmen Sie dann den Teekorb aus der magnetischen Kannensäule. Waschen Sie Kannendeckel, Korbdeckel und Tee-Messlöffel mit einem weichen Schwamm im warmen Seifenwasser; anschließend abspülen und gründlich trocknen.



### WARNUNG

Tauchen Sie niemals den Boden des Teekessels, den Stromsockel, das Stromkabel oder den Netzstecker in Wasser und achten Sie darauf, dass diese Teile nicht feucht werden.

3. Stellen Sie den Stromsockel auf eine flache, trockene Fläche.
4. Füllen Sie, während der Teekorb entfernt ist, die Glaskanne bis zur WATER MAX-Marke (1.000 ml) mit Wasser und stellen Sie sie auf den Stromsockel. Setzen Sie den Kannendeckel fest auf die Glaskanne.



### WARNUNG

Füllen Sie die Glaskanne niemals mit kaltem Wasser. Lassen Sie den Tea Maker™ Compact abkühlen, bevor Sie ihn nachfüllen.



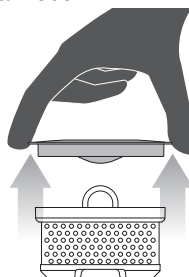
### WARNUNG

Wenn die Kanne über die MAX-Marke gefüllt wird, kann es zu schweren Verbrennungen oder Verletzungen durch überlaufendes heißes oder siedendes Wasser kommen. Wird die Kanne nicht bis zur MIN-Marke gefüllt, schaltet der Tea Maker™ Compact möglicherweise ab, bevor das Wasser kocht oder auf die gewünschte Temperatur erhitzt wurde.

5. Entrollen Sie das Kabel vollständig und schließen Sie den Netzstecker an eine geerdete Steckdose an.
6. Drücken Sie auf SELECT/TEMP, um BLACK/100° auszuwählen, und drücken Sie dann auf START/CANCEL. Die LED wechselt von rot auf weiß und signalisiert, dass das Wasser erhitzt wird.
7. Der Teekoher wird einen Piepton abgeben, sobald das Wasser die ausgewählte Temperatur erreicht hat.
8. Gießen Sie das Wasser weg. Der Tea Maker™ Compact ist jetzt betriebsbereit.

### TEEBRÜHEN MIT DEM TEA MAKER

1. Füllen Sie die Glaskanne mit der gewünschten Menge Wasser. Achten Sie darauf, die Kanne mindestens bis zur MIN-Marke und höchstens bis zur MAX-Marke zu füllen. Hinweis: Beim Brühen von Tee steht die MAX-Marke für eine Wassermenge von 800 ml.
2. Stellen Sie den Teekorb auf eine flache, trockene Fläche. Entfernen Sie den Deckel des Korbs, indem Sie ihn an den Seiten anheben.



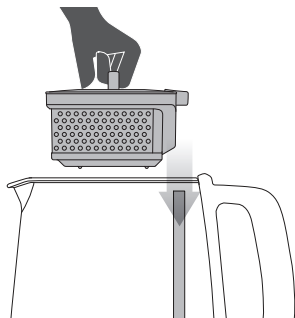
3. Füllen Sie mit dem beigegeführten Messlöffel Teeblätter in den Teekorb. Als allgemeine Richtlinie gilt 1 Messlöffel Tee je Tasse (250 ml Wasser); diese Menge kann jedoch abhängig von den Anweisungen für Ihren Tee und Ihren Vorlieben variieren.

### Wasser/Tee-Verhältnis

500 ml	2 Messlöffel
750 ml	3 Messlöffel

4. Setzen Sie den Deckel wieder auf den Teekorb und achten Sie darauf, dass er gut einrastet.

5. Setzen Sie den Teekorb in die Kannensäule in der Glaskanne.



6. Setzen Sie den Kannendeckel fest auf die Glaskanne und achten Sie darauf, dass der Filter mit dem Ausguss bündig ist.

## AUSWAHL DER TEESORTE

1. Die Brühtemperatur ist von der ausgewählten Teesorte abhängig. Der Tea Maker™ Compact verfügt über 5 Voreinstellungen für grünen, weißen, Oolong-, Kräuter- oder schwarzen Tee.

TEESORTE	Grüner Tee	Weißer Tee	Oolong-Tee	Kräuter-tee	Schwarzer Tee	
Voreinstellung Brühtemperatur	80 °C	85 °C	90 °C	95 °C	100 °C	
Stärke (min)	Mild	2	3	3	4	3
	Mittel	3	4	4	5	4
	Stark	4	5	5	6	5



## HINWEIS

Dieses Produkt ist nicht für kommerzielle oder wissenschaftliche Anwendungen kalibriert. Temperaturen können bis zu  $\pm 3$  °C schwanken, was innerhalb der Bandbreite für die optimale Zubereitung aller Teesorten liegt.

2. Drücken Sie auf SELECT/TEMP, bis die gewünschte Teesorte/Temperatur aufleuchtet. Die Teestärke ist von der gewählten Brühzeit abhängig. Die Brühzeit kann je nach Teesorte und Vorlieben variieren. Der Tea Maker™ Compact ermöglicht Ihnen die Wahl zwischen den Brühstärken mild, mittel und stark.

3. Drücken Sie auf die Taste STRENGTH (STÄRKE), um die gewünschte Stärke/Brühzeit auszuwählen. Die Brühzeiten finden Sie oben in der Teesorten-Tabelle. Wenn Sie die Wasserkocher-Einstellung wählen, können Sie Wasser auf die gewünschte Temperatur erhitzen, jedoch ohne Bewegen des Teekorbs.
4. Drücken Sie auf START/CANCEL, um den Aufheizvorgang zu starten.
5. Sobald die gewünschte Temperatur erreicht ist, wird der Teekorb automatisch in das heiße Wasser abgesenkt. Dort verbleibt er bis zum Verstreichen der Brühzeit.
6. Am Ende des Brühvorgangs wird der Teekorb in der Kanne automatisch aus dem Wasser gehoben, um zu verhindern, dass der Tee zu lange brüht. Das Teesignal ertönt dreimal, um anzuzeigen, dass der Tee fertig ist.



## WARNUNG

Der Teekorb ist nach dem Brühen von Tee zu heiß, um ihn anzufassen. Stellen Sie sicher, dass der Griff des Teekorbs abgekühlt ist, bevor Sie ihn anfassen.

## KEEP WARM (WARMHALTEN)

Diese Funktion ermöglicht es, den gebrühten Tee oder das erhitzte Wasser bis zu 60 Minuten warm zu halten. Wenn die Glaskanne vom Stromsockel genommen wird, schaltet die Warmhaltefunktion automatisch ab.

Um die Warmhaltefunktion für weitere 60 Minuten einzuschalten, stellen Sie die Glaskanne mit dem restlichen Tee wieder auf den Stromsockel und drücken auf KEEP WARM (WARMHALTEN), woraufhin die entsprechende LED aufleuchtet.

## WASSER KOCHEN

Um Wasser zu kochen, entfernen Sie zuerst den Teekorb und füllen die Glaskanne mit Wasser. Entfernen Sie den Kannendeckel und stellen Sie die Glaskanne auf den Stromsockel. Drücken Sie auf die Taste SELECT/TEMP (AUSWAHL/TEMPERATUR) und dann auf STRENGTH (STÄRKE), um KETTLE (WASSERKOCHER) auszuwählen.



## Pflege und Reinigung

### REINIGUNG DER GLASKANNE

- Entleeren Sie die Glaskanne nach jeder Benutzung. Lassen Sie den gebrühten Tee nicht über Nacht in der Kanne. Lassen Sie die Glaskanne vollständig abkühlen, bevor Sie sie reinigen.
- Reinigen Sie die Innenseite der Glaskanne mit einem weichen, feuchten Schwamm und spülen Sie die Kanne mit warmem Wasser aus.
- Verwenden Sie zur Reinigung der Außenseite der Glaskanne ein weiches, feuchtes Tuch.



### WARNUNG

Die Außenseite der Glaskanne darf niemals unter fließendem Wasser gewaschen werden.



### HINWEIS

Verwenden Sie keine Chemikalien, Stahlwolle oder Scheuermittel zur Reinigung der Innen- oder Außenseite der Glaskanne, da dies Kratzer verursachen kann.

- Um Ablagerungen von Tannin, einem adstringierenden chemischen Bestandteil von Tee zu entfernen, entnehmen Sie den Teekorb, füllen die Glaskanne bis zur MAX-Markierung mit Wasser, bringen das Wasser zum Kochen und lassen es dann eine Minute lang abkühlen. Geben Sie den Inhalt des Tee-Reinigungspäckchens (erhältlich auf der Sage Website) hinzu und lassen Sie es 5 Minuten einwirken. Entleeren Sie den Tea Maker, füllen Sie ihn mit frischem Wasser und bringen Sie es zum Kochen. Wiederholen Sie diesen Vorgang. Entleeren Sie die Glaskanne und spülen Sie sie gründlich aus. Trocknen Sie den Tea Maker gründlich mit einem fusselfreien Tuch, bevor Sie ihn wieder verwenden.



### HINWEIS

Durch die regelmäßige Verwendung des Tea Maker™ Compact kann es im Laufe der Zeit zu Kalkablagerungen kommen, was seine Lebensdauer und seine Leistung beeinträchtigt. Kalk und Phosphor sind häufige Arten von Ablagerungen, die Ihren Sage Tea Maker™ Compact beschädigen können. Kalk, ein harmloses Mineral, lagert sich auf der Innenseite und am Boden der Glaskanne ab und äußert sich als weiße oder rostfarbene Schicht. Phosphate sind unsichtbar, können jedoch beim Erhitzen zu einer Trübung des Wassers führen. Um eine Beschädigung des Tea Maker™ Compact durch Ablagerungen zu vermeiden, muss die Glaskanne regelmäßig entkalkt werden. Verwenden Sie den Sage Kalkentferner (erhältlich auf der Sage Website) und befolgen Sie dabei die Anweisungen.



### WARNUNG

Verursacht Hautreizungen. Nach Gebrauch Hände gründlich waschen. Schutzhandschuhe/Schutzkleidung/Augenschutz/Gesichtsschutz tragen.



### HINWEIS

Lassen Sie den Tea Maker™ Compact vollständig abkühlen, bevor Sie das Gerät zerlegen und reinigen.



### WARNUNG

Tauchen Sie niemals den Boden des Teekessels, den Kannendeckel, den Stromsockel, das Stromkabel oder den Netzstecker in Wasser und achten Sie darauf, dass diese Teile nicht feucht werden.



## REINIGUNG DES TEEKORBES

- Waschen Sie den Deckel des Teekorbs und den Teekorb im warmen Seifenwasser; anschließend abspülen und gründlich trocknen.
- Ein nicht scheuernder, flüssiger Reiniger oder ein mildes Reinigungsspray können verwendet werden, um Ablagerungen zu verhindern. Geben Sie das Reinigungsmittel auf den Schwamm und nicht direkt auf die Oberfläche des Teekorbs.
- Lassen Sie alle Oberflächen vor der Verwendung gründlich trocknen.

## REINIGUNG DES STROMSOCKELS

- Reinigen Sie den Stromsockel mit einem weichen, feuchten Schwamm.

- Lassen Sie alle Oberflächen gründlich trocknen, bevor Sie den Netzstecker an die Steckdose anschließen.

## LAGERUNG

- Stellen Sie sicher, dass der Tea Maker™ Compact abgeschaltet, sauber und trocken ist, bevor Sie ihn versorgen.
- Achten Sie darauf, dass der Teekorb richtig zusammengesetzt ist.
- Stellen Sie sicher, dass der Deckel der Glaskanne gut eingerastet ist.
- Wickeln Sie das Kabel um die Kabelaufbewahrung unter dem Stromsockel.
- Stellen Sie den Tea Maker™ Compact aufrecht auf den Stromsockel. Stellen Sie keine Gegenstände auf das Gerät.



# Störungsbehebung

## PROBLEM

## MÖGLICHE URSACHE

**Der Tea Maker™ Compact lässt sich nicht einschalten**

- Überprüfen Sie, ob der Netzstecker richtig an der Steckdose angeschlossen ist.
- Schließen Sie den Netzstecker an eine separate Steckdose an.
- Schließen Sie den Netzstecker an einer anderen Steckdose an.
- Setzen Sie den Schutzschalter ggf. zurück.
- Für zusätzliche Sicherheit ist der Tea Maker™ Compact mit einem thermischen Schutzschalter ausgestattet. Bei starker Überhitzung schaltet sich der Tea Maker™ Compact automatisch ab, um weitere Schäden zu verhindern.

**Die Funktionsknöpfe am Stromsockel des Tea Maker™ Compact leuchten nicht auf und Funktionen können nicht ausgewählt werden**

- Ziehen Sie den Stecker aus der Steckdose und stecken ihn direkt wieder ein. Heben Sie die Glaskanne kurz vom Stromsockel an und stellen Sie sie dann wieder drauf. Alle Knöpfe sollten jetzt aufleuchten und der Tea Maker™ Compact ist wieder einsatzbereit.

**Der Tea Maker™ Compact funktioniert nicht**

- Stellen Sie sicher, dass die Glaskanne fest auf dem Stromsockel sitzt.

**Ich kann eine bestimmte Funktion nicht auswählen**

- Bestimmte Funktionen können während des Erhitzens oder Brühens nicht verwendet werden. LEDs neben den Tasten zeigen die verfügbaren Funktionen an.

**Nach dem Kochen von Wasser bilden sich Bläschen um den Temperatursensor**

- Dies ist beim Betrieb des Tea Maker™ Compact normal.

**Mein Tee ist zu schwach oder zu stark**

- Vergewissern Sie sich, dass Sie vor dem Brühvorgang die richtige Stärke ausgewählt haben.
- Führen Sie einen Reinigungsvorgang gemäß den Anweisungen in dieser Broschüre durch.

**Der Teekorb bewegt sich nicht**

- Der Teekorb bewegt sich nicht während des Aufwärmvorganges.
- Der Teekorb bewegt sich erst wenn die ausgewählte Temperatur erreicht wurde. Der Teekorb bleibt unten bis die Brühzeit um ist.
- Ziehen Sie den Stecker aus der Steckdose und warten Sie 10 Sekunden bis Sie den Stecker wieder in die Steckdose einstecken.



## Garantie

### **2 JAHRE BESCHRÄNKTE GARANTIE**

Sage Appliances gibt auf dieses Produkt für den häuslichen Gebrauch in bestimmten Gebieten eine Garantie über 2 Jahre ab Kaufdatum für Mängel, die durch fehlerhafte Verarbeitung und Materialien verursacht wurden. Während dieser Garantiezeit wird Sage Appliances jedes fehlerhafte Produkt reparieren, ersetzen oder das Geld zurückerstatten (nach eigenem Ermessen von Sage Appliances).

Alle gesetzlichen Gewährleistungsrechte nach geltendem nationalem Recht werden beachtet und durch unsere Garantie nicht beeinträchtigt. Die vollständigen Garantiebestimmungen und -bedingungen sowie Hinweise zur Geltendmachung von Ansprüchen finden Sie unter [www.sageappliances.com](http://www.sageappliances.com).



## Notizen

*the Tea Maker™ Compact*



FR GUIDE RAPIDE

**Sage®**



## Table des matières

- 2 Consignes de sécurité importantes
- 6 Composants
- 8 Fonctions
- 10 Entretien et nettoyage
- 12 Dépannage
- 13 Garantie

## **SAGE® RECOMMANDE LA SÉCURITÉ AVANT TOUT**

**Chez Sage®, la sécurité est une priorité. Nous concevons et fabriquons des produits de consommation en mettant la sécurité de nos précieux clients, c'est-à-dire vous, au premier plan. Nous vous demandons également d'être vigilant lorsque vous utilisez un appareil électrique et de respecter les consignes suivantes.**

## **CONSIGNES DE SÉCURITÉ IMPORTANTES**

### **LISEZ TOUTES LES INSTRUCTIONS AVANT UTILISATION ET CONSERVEZ-LES POUR RÉFÉRENCE ULTÉRIEURE**

- Une version téléchargeable de ce document est également disponible sur [sageappliances.com](http://sageappliances.com).
- Avant une première utilisation, assurez-vous que votre alimentation électrique est identique à celle illustrée sur l'étiquette située en dessous de l'appareil. Si vous avez des questions, veuillez contacter votre fournisseur d'électricité.
- Retirez tout emballage avant la première utilisation et éliminez-le de façon sûre.
- Pour éviter tout risque d'étouffement pour les enfants en bas âge, jetez en lieu sûr le couvercle de protection sur la prise d'alimentation.
- Cet appareil a été conçu spécifiquement pour chauffer et porter à ébullition de l'eau de boisson et du thé de qualité uniquement. Ce produit ne doit en aucun cas être utilisé pour chauffer ou faire bouillir d'autres liquides ou denrées alimentaires.
- Placez l'appareil sur une surface stable, résistante à la chaleur, plane et sèche, loin du bord. Ne l'utilisez pas sur ou à proximité d'une source de chaleur (plaque chauffante, four ou cuisinière au gaz).

- Ne placez pas l'appareil au contact ou à proximité d'un brûleur électrique ou à gaz chaud ou à un emplacement où il est susceptible d'entrer en contact avec un four chaud.
- Placez l'appareil à au moins 20 cm des murs ou des matériaux sensibles à la chaleur/vapeur et prévoyez un espace suffisant au-dessus et sur tous les côtés pour la circulation d'air.
- N'utilisez pas la bouilloire sur l'égouttoir d'un évier.
- Assurez-vous toujours que l'appareil est correctement assemblé avant de le brancher sur une prise électrique et de l'utiliser. Suivez les instructions fournies dans ce livret.
- L'installation d'un interrupteur différentiel à courant résiduel est recommandée pour fournir une sécurité supplémentaire lors de l'utilisation de tous les appareils électriques. Les interrupteurs différentiels avec un courant de fonctionnement nominal maximal de 30 mA sont recommandés. Consultez un électricien pour obtenir des conseils professionnels.
- La carafe en verre doit uniquement être utilisée avec la base d'alimentation fournie. Ne l'utilisez pas sur une gazinière.
- L'appareil ne doit pas être utilisé avec une minuterie externe ou un système de commande à distance séparé.
- Ne touchez pas les surfaces chaudes. Utilisez la poignée pour lever et transporter la carafe en verre.
- Fixez bien le couvercle sur la carafe en verre avant l'utilisation.
- Ne déposez rien sur le couvercle.
- Pour éviter tout risque de brûlure, n'ouvrez pas le couvercle de la carafe quand l'appareil est en marche.
- Si vous devez déplacer une carafe en verre contenant des liquides chauds, soyez très vigilant.
- Faites preuve de prudence lorsque vous versez de l'eau de la carafe en verre, car l'eau bouillante et la vapeur peuvent provoquer des brûlures. Ne versez pas l'eau trop rapidement.
- Pour éviter les brûlures, ne remplissez jamais la carafe en verre au-delà des repères de la ligne WATER MAX (MAX EAU) lorsque vous faites chauffer de l'eau ou TEA MAX (MAX THÉ) lorsque vous infusez du thé.
- Ne faites pas fonctionner l'appareil sans eau. Remplissez toujours la carafe au moins jusqu'à la marque MIN. Si elle ne contient pas d'eau lors du fonctionnement, la protection anti-usage à sec coupe automatiquement l'alimentation électrique. Laissez l'appareil refroidir avant de le remplir à nouveau.



#### AVERTISSEMENT

- Ne retirez pas la carafe d'eau de la base d'alimentation lorsque l'eau chauffe ou que le filtre est en marche. Assurez-vous

que l'appareil a terminé le cycle de chauffage de l'eau ou d'infusion du thé avant de retirer la carafe en verre de la base d'alimentation.

- L'utilisation d'accessoires non recommandés par Sage® peut provoquer des incendies, des chocs électriques ou des blessures corporelles.
- Assurez-vous toujours que l'appareil est hors tension, débranché de la prise électrique et qu'il a refroidi avant de le nettoyer, de le déplacer ou de le ranger.
- Lorsque l'appareil n'est pas utilisé ou lorsqu'il est laissé sans surveillance, débranchez le cordon d'alimentation de la prise murale.
- Laissez l'appareil refroidir entre les cycles d'infusion.
- Veillez à nettoyer la carafe en verre. Suivez les instructions de nettoyage indiquées dans ce livret.
- N'utilisez pas de produits abrasifs ni de nettoyants caustiques pour nettoyer l'appareil.
- Les enfants ne doivent pas jouer avec l'appareil.
- La carafe en verre a subi un traitement spécial pour la rendre plus résistante, durable et sûre qu'une carafe en verre ordinaire, mais elle n'est pas incassable. En cas de chute ou de choc violent, elle peut se casser ou être fragilisée, et pourrait ultérieurement se briser en petits morceaux sans cause apparente.

- Tout entretien autre que le nettoyage doit être réalisé par un centre de services Sage® agréé.
- Cet appareil peut être utilisé par des enfants âgés de 8 ans ou plus et des personnes aux capacités mentales, sensorielles ou physiques réduites, ou ayant peu d'expérience et de connaissances, uniquement sous supervision ou s'ils ont reçu des instructions sur l'utilisation sécurisée de l'appareil et qu'ils comprennent les risques impliqués.
- Les enfants ne doivent pas jouer avec l'appareil.
- Assurez-vous toujours que l'appareil est éteint, hors tension et débranché au niveau de la prise électrique lorsqu'il n'est pas utilisé.



#### AVERTISSEMENT

- Ne lavez pas l'extérieur de la carafe sous l'eau courante.





# CONSIGNES DE SÉCURITÉ IMPORTANTES POUR TOUS LES APPAREILS ÉLECTRIQUES

- Déroulez entièrement le cordon d'alimentation avant utilisation.
- Cet appareil est destiné à un usage domestique uniquement. N'utilisez pas l'appareil pour toute autre fin que son utilisation prévue. Ne l'utilisez pas sur un bateau ou dans des véhicules en mouvement. Ne l'utilisez pas en plein air. Une mauvaise utilisation peut engendrer des blessures.
- Ne laissez pas le cordon d'alimentation suspendu au bord d'un plan de travail ou d'une table, entrer en contact avec des surfaces chaudes ou se nouer.
- Une surveillance étroite doit être exercée lorsque l'appareil est utilisé par des enfants ou utilisé à proximité d'enfants.
- Le nettoyage de l'appareil ne doit pas être effectué par des enfants à moins qu'ils aient 8 ans ou plus, et ce, sous la surveillance d'un adulte.
- L'appareil et son cordon doivent être conservés hors de la portée des enfants de 8 ans et moins.

- N'utilisez pas l'appareil si le cordon d'alimentation, la prise ou l'appareil sont endommagés de quelque manière que ce soit. En cas de dommages ou si un entretien autre que le nettoyage est nécessaire, contactez le service client Sage ou consultez le site [sageappliances.com](http://sageappliances.com).



## AVERTISSEMENT

- N'utilisez pas l'appareil sur une surface inclinée.
- Ne déplacez pas l'appareil s'il est allumé.



Le symbole illustré indique que cet appareil ne doit pas être jeté dans les ordures ménagères. Il doit être amené dans un centre de collecte de déchets local agréé désigné à cette fin ou à un revendeur proposant ce service. Pour en savoir plus, veuillez contacter le bureau de votre municipalité.

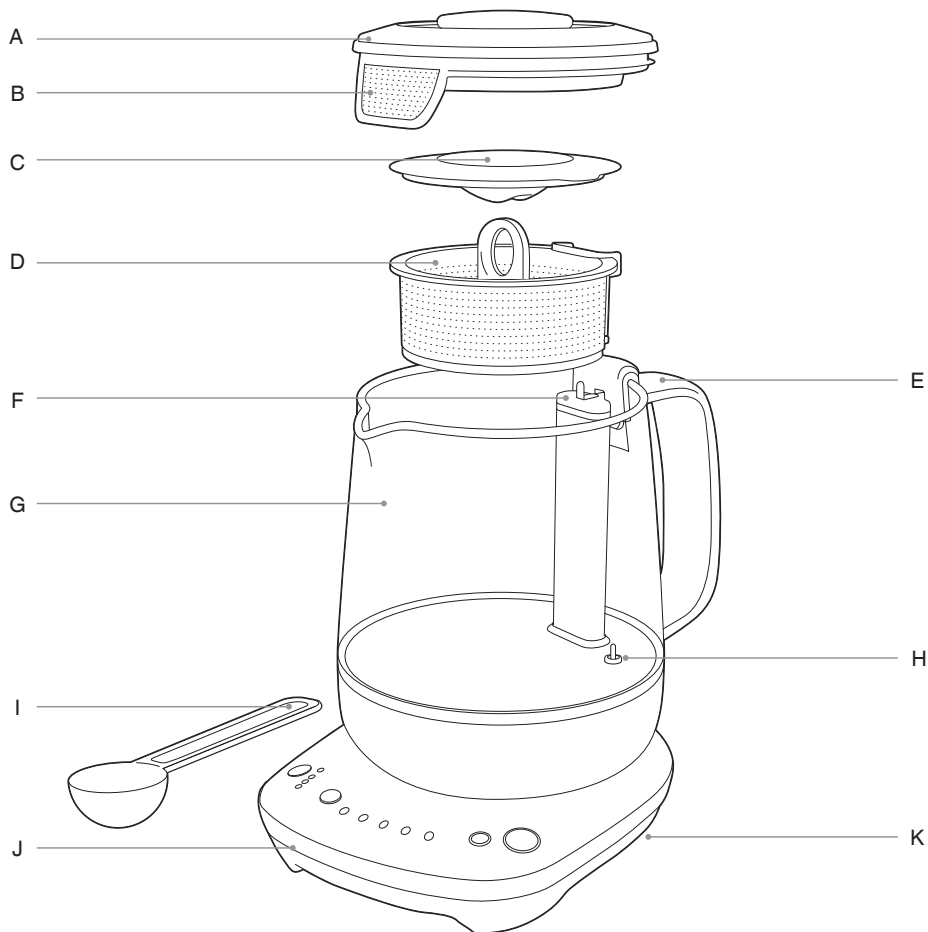


Pour vous protéger contre les chocs électriques, n'immergez jamais la base de la carafe en verre, la base d'alimentation, le cordon électrique ou la prise électrique dans l'eau, et ne laissez pas l'humidité entrer en contact avec ces pièces. Évitez de renverser de l'eau sur le connecteur de la base d'alimentation. N'immergez pas la carafe en verre ou la base d'alimentation lors du nettoyage.

## CONSERVEZ CES INSTRUCTIONS



## Composants



- A. Couvercle de la carafe
- B. Filtre anti-calcaire
- C. Couvercle du filtre à thé
- D. Filtre à thé
- E. Poignée
- F. Tige de la carafe

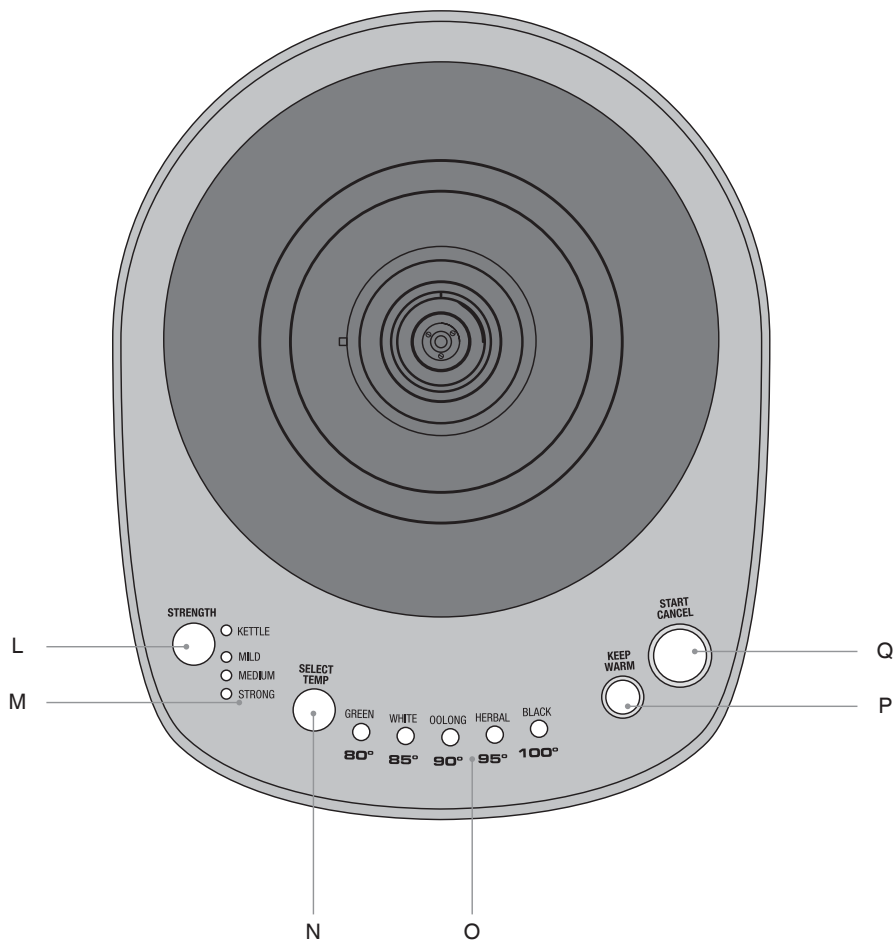
- G. Carafe en verre  
1000 ml d'eau max. 800 ml de thé max.
- H. Capteur de température immergé
- I. Cuillère à thé
- J. Base d'alimentation
- K. Rangement du cordon  
Dissimulé sous la base d'alimentation.



**Informations sur la tension nominale**  
220 – 240 V ~ 50-60 Hz 1 380 W - 1 600 W



# Composants



## L. Bouton STRENGTH (Force)

Préréglez la durée d'infusion recommandée pour une infusion douce, moyenne ou forte de chaque type de thé.

## M. Indicateur de la force du thé

## N. Bouton SELECT/TEMP (Sélectionner/Température)

Sélectionnez le type de thé/la température d'infusion recommandés pour des thés verts, blancs, oolong, noirs ou des tisanes.

## O. Indicateur de température/du type de thé

## P. Bouton KEEP WARM (Maintien au chaud)

Permet au thé infusé ou à l'eau chaude de maintenir sa température jusqu'à 60 minutes.

## Q. Bouton START/CANCEL (Démarrer/Annuler)

Démarre et arrête le cycle de chauffage.



## Fonctions

### AVANT LA PREMIÈRE UTILISATION

Afin d'éliminer la poussière ou les résidus de protection du processus de fabrication, il est recommandé de lancer un cycle d'ébullition puis de jeter l'eau.

1. Retirez et jetez en lieu sûr les emballages, adhésifs et étiquettes promotionnelles de the Tea Maker™ Compact.
2. Retirez le couvercle de la carafe, puis retirez le filtre à thé de la tige magnétique à l'intérieur de la carafe en verre. Lavez le couvercle de la carafe, le filtre à thé, le couvercle du filtre à thé et la cuillère à thé à l'eau tiède savonneuse avec une éponge douce, puis rincez-les et séchez-les soigneusement.



### AVERTISSEMENT

N'immergez jamais la base de la carafe en verre, la base d'alimentation, le cordon électrique ou la prise électrique dans l'eau, et ne laissez pas l'humidité entrer en contact avec ces pièces.

3. Placez la base d'alimentation sur une surface plane et sèche.
4. Avant de placer le filtre à thé, remplissez la carafe en verre jusqu'au marquage WATER MAX (MAX EAU) (1 000 ml), puis placez-la sur la base d'alimentation. Fixez bien le couvercle de la carafe sur la carafe en verre.



### AVERTISSEMENT

Ne remplissez jamais la carafe en verre avec de l'eau glacée. Laissez the Tea Maker™ Compact refroidir avant de la remplir à nouveau.



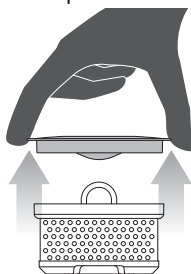
### AVERTISSEMENT

Si vous dépassez la ligne MAX au moment du remplissage, vous risquez de vous brûler ou de vous blesser car l'eau chaude ou bouillante peut déborder. Si vous remplissez la carafe en-dessous de la ligne MIN, the Tea Maker™ Compact s'éteindra avant que l'eau n'ait bouilli ou atteint la température sélectionnée.

5. Déroulez complètement le cordon d'alimentation et insérez-le dans une prise murale mise à la terre.
6. Utilisez le bouton SELECT/TEMP (Sélectionner/Température) pour sélectionner BLACK/100° (Thé noir/100°), puis sélectionnez le bouton START/CANCEL (Démarrer/Annuler). Le voyant passera du rouge au blanc pour indiquer que le cycle de chauffage est en cours.
7. Une fois que l'eau a atteint la température sélectionnée, la machine à thé émet un signal sonore.
8. Jetez l'eau. The Tea Maker™ Compact est désormais prête à être utilisée.

### INFUSION DU THÉ

1. Remplissez la carafe en verre avec la quantité d'eau souhaitée. Assurez-vous que vous remplissez au-delà de la marque MIN et que vous vous arrêtez avant ou au niveau de la marque MAX. Notez que la marque MAX est de 800 ml lorsque le thé est infusé.
2. Placez le filtre à thé sur une surface plane et sèche. Retirez le couvercle du filtre en le soulevant par les côtés.



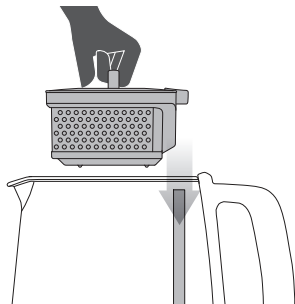
3. Utilisez la cuillère à thé fournie pour remplir le filtre de feuilles de thé. De manière générale, utilisez 1 cuillère à thé par tasse/250 ml d'eau. Toutefois, cela dépend des doses recommandées pour le thé et de vos préférences personnelles.

### Nombre de cuillères à thé par rapport à la quantité d'eau

500 ml	2 cuillères
750 ml	3 cuillères

4. Remplacez le couvercle du filtre et assurez-vous qu'il est bien accroché.

- Fixez le filtre à thé sur la tige de la carafe à l'intérieur de la carafe en verre.



- Replacez bien le couvercle sur la carafe en verre et assurez-vous que le filtre est aligné sur le bec verseur de la carafe.

## SÉLECTION DU TYPE DE THÉ

- Le type de thé détermine la température d'infusion. The Tea Maker™ Compact possède 5 types de thé prédéfinis recommandés pour une infusion optimale de thés vert, blanc, oolong, noir ou de tisanes.

TYPE DE THÉ	Vert	Blanc	Oolong	Tisanes	Noir	
Température d'infusion prééglée	80 °C	85 °C	90 °C	95 °C	100 °C	
Durée (minutes)	Doux	2	3	3	4	3
	Moyen	3	4	4	5	4
	Fort	4	5	5	6	5



## REMARQUE

Ce produit n'est pas conçu pour un usage commercial ou scientifique. Les températures peuvent varier d'environ  $\pm 3$  °C, ce qui permet une qualité d'infusion optimale pour chaque type de thé.

- Appuyez sur le bouton SELECT/TEMP (Sélectionner/Température) jusqu'à ce que le thé/la température souhaité(e) s'allume. La force du thé souhaitée détermine la durée d'infusion. La durée d'infusion correcte varie en fonction du type de thé et de vos préférences personnelles en termes de force du thé. The Tea Maker™ Compact vous permet de choisir entre les infusions de thé douce, moyenne et forte.

- Appuyez sur le bouton STRENGTH (Force) pour sélectionner la force/durée d'infusion souhaitée. Consultez le tableau TYPE DE THÉ ci-dessus pour connaître les durées d'infusion. Si vous choisissez la fonction Bouilloire, l'eau bouillira à la température souhaitée, mais le filtre à thé ne fonctionnera pas.
- Appuyez sur le bouton START/CANCEL (Démarrer/Annuler) pour démarrer le chauffage.
- Une fois la température d'infusion sélectionnée atteinte, le filtre à thé s'abaisse automatiquement dans l'eau chauffée. Il restera dans cette position jusqu'à ce que la durée d'infusion soit écoulée.
- À la fin du cycle d'infusion du thé, le filtre à thé s'élève automatiquement dans la carafe en verre pour éviter de dépasser le temps d'infusion. L'alerte indiquant que le thé est prêt retentira trois fois.



## AVERTISSEMENT

Une fois le thé infusé, le filtre à thé est chaud. Assurez-vous que la poignée du filtre à thé a refroidi avant toute manipulation.

## MAINTIEN AU CHAUD

Si cette option est sélectionnée avant le cycle de chauffage, le maintien au chaud durera 60 minutes après l'infusion du thé. Lorsque la carafe en verre est retirée de la base d'alimentation, la fonction de maintien au chaud s'annule.

Pour réactiver la fonction pendant 60 minutes de plus, replacez la carafe en verre avec le thé restant sur la base d'alimentation et appuyez sur KEEP WARM (Maintien au chaud). Une fois la fonction sélectionnée, le voyant s'allumera.

## ÉBULLITION DE L'EAU

Pour faire bouillir l'eau, retirez le filtre à thé et remplissez la carafe en verre d'eau. Remettez le couvercle et placez la carafe en verre sur la base d'alimentation. Sélectionnez la température souhaitée en appuyant sur le bouton SELECT/TEMP (Sélectionner/Température), puis appuyez sur le bouton STRENGTH (Force) pour sélectionner KETTLE (Bouilloire).



## Entretien et nettoyage

### NETTOYAGE DE LA CARAFE EN VERRE

- Après chaque utilisation, videz la carafe en verre. Ne laissez pas le thé infusé reposer toute la nuit. Laissez la carafe en verre refroidir complètement avant de la nettoyer.
- Essuyez l'intérieur de la carafe en verre avec une éponge douce et humide ou rincez-le avec de l'eau tiède.
- Essuyez l'extérieur de la carafe en verre avec un chiffon doux et humide pour le nettoyer.



### AVERTISSEMENT

N'immergez ou ne nettoyez jamais l'extérieur de la carafe en verre sous l'eau du robinet.



### REMARQUE

N'utilisez pas de produits chimiques, de laine d'acier ou de nettoyeurs abrasifs pour nettoyer l'intérieur ou l'extérieur de la carafe en verre, car cela risquerait d'endommager la surface.

- Pour éliminer l'accumulation de tanin, le composant chimique astringent du thé, retirez le filtre à thé, remplissez la carafe en verre avec de l'eau jusqu'à la marque MAX,

faites bouillir l'eau et laissez-la refroidir pendant une minute. Ajoutez le contenu du paquet de nettoyage the Sage Tea Maker Cleaner (disponible sur la page web Sage) et laissez agir pendant 5 minutes. Videz la machine à thé, remplissez-la d'eau fraîche et portez l'eau à ébullition. Répétez cette étape, puis rincez abondamment l'intérieur de la carafe en verre. Séchez l'appareil soigneusement avec un chiffon doux non pelucheux avant de l'utiliser.



### REMARQUE

Avec le temps et un usage régulier, la formation de calcaire peut affecter les performances et la durée de vie de the Tea Maker™ Compact. La chaux et le phosphate sont des formes courantes de calcaire qui peuvent endommager votre appareil Sage Tea Maker™ Compact. Le calcaire, un minéral inoffensif, se présente sous la forme d'une accumulation de tartre de couleur blanche ou d'aspect rouillé sur les parois intérieures et la base intérieure de la carafe en verre. La formation de phosphate ne se voit pas, elle peut toutefois rendre l'eau trouble lorsqu'elle est chauffée. Pour éviter que le calcaire endommage the Tea Maker™ Compact, assurez-vous de détartrer régulièrement la carafe en verre. Utilisez le détartrant the Sage Descaler (disponible sur la page web Sage) et suivez les instructions.



### AVERTISSEMENT

Provoque une irritation cutanée. Se laver la peau soigneusement après manipulation. Porter des gants de protection/des vêtements de protection/un équipement de protection des yeux/du visage.



### REMARQUE

Laissez toutes les parties de the Tea Maker™ Compact refroidir complètement avant de les démonter et de les nettoyer.



### AVERTISSEMENT

N'immergez jamais la base de la carafe en verre, le couvercle de la carafe, la base d'alimentation, le cordon électrique ou la prise électrique dans l'eau, et ne laissez pas l'humidité entrer en contact avec ces pièces.

## NETTOYAGE DU FILTRE

- Nettoyez le couvercle du filtre et le filtre à thé avec une éponge douce à l'eau tiède savonneuse, puis rincez-les et séchez-les soigneusement.
- Vous pouvez utiliser un nettoyant liquide non abrasif ou une solution à pulvériser douce pour éviter les accumulations de taches sur le filtre. Appliquez le nettoyant sur l'éponge, et non directement sur la surface du filtre, avant de le nettoyer.
- Laissez toutes les surfaces sécher complètement avant de les utiliser.

## NETTOYAGE DE LA BASE D'ALIMENTATION

- Nettoyez la base d'alimentation avec une éponge douce et humide.
- Laissez toutes les surfaces sécher complètement avant de brancher le cordon d'alimentation à la prise murale.

## RANGEMENT

- Assurez-vous que the Tea Maker™ Compact est éteinte, nettoyée et complètement sèche avant de la ranger.
- Assurez-vous que le filtre à thé est correctement installé.
- Assurez-vous que le couvercle de la carafe est bien fixé sur la carafe en verre.
- Enroulez le cordon d'alimentation autour du rangement du cordon d'alimentation sous la base d'alimentation.
- Rangez the Tea Maker™ Compact en position verticale sur la base d'alimentation. Ne rangez rien au-dessus de l'appareil.



## Dépannage

PROBLÈME	SOLUTION
<b>The Tea Maker™ Compact ne s'allume pas</b>	<ul style="list-style-type: none"><li>• Vérifiez que le cordon d'alimentation est bien inséré dans la prise.</li><li>• Insérez le cordon d'alimentation dans une prise indépendante.</li><li>• Insérez le cordon d'alimentation dans une autre prise.</li><li>• Réinitialisez le disjoncteur si nécessaire.</li><li>• Par mesure de sécurité, the Tea Maker™ Compact est équipée d'un interrupteur thermique. En cas de surchauffe importante, the Tea Maker™ Compact s'éteint automatiquement pour éviter tout dommage supplémentaire.</li></ul>
<b>La base d'alimentation de the Tea Maker™ Compact ne s'allume pas et les fonctions ne peuvent pas être sélectionnées</b>	<ul style="list-style-type: none"><li>• Débranchez le cordon d'alimentation de la prise murale, puis réinsérez-le. Retirez la carafe en verre de la base d'alimentation, puis replacez-la. Tous les boutons devraient désormais s'allumer et the Tea Maker™ Compact est prête à être utilisée.</li></ul>
<b>The Tea Maker™ Compact ne fonctionne pas</b>	<ul style="list-style-type: none"><li>• Vérifiez que la carafe en verre est bien positionnée sur la base d'alimentation.</li></ul>
<b>Je ne peux pas sélectionner une fonction spécifique</b>	<ul style="list-style-type: none"><li>• Certaines fonctions ne peuvent pas être sélectionnées ou modifiées pendant le cycle de chauffage ou d'infusion. Des DEL lumineuses autour des boutons indiquent si les fonctions sont disponibles.</li></ul>
<b>Après l'ébullition de l'eau, des bulles apparaissent autour du capteur de température</b>	<ul style="list-style-type: none"><li>• Il s'agit d'un comportement normal pour le fonctionnement de the Tea Maker™ Compact.</li></ul>
<b>Mon thé est trop doux ou trop fort</b>	<ul style="list-style-type: none"><li>• Assurez-vous que vous avez sélectionné la force de thé appropriée avant d'infuser.</li><li>• Suivez les instructions de nettoyage indiquées dans ce livret.</li></ul>
<b>Le filtre à thé ne bouge pas</b>	<ul style="list-style-type: none"><li>• Le filtre à thé ne bougera pas lors du cycle de chauffage.</li><li>• Le filtre à thé commencera à bouger une fois que la température sélectionnée sera atteinte. Le filtre à thé restera en position basse jusqu'à la fin de la durée d'infusion.</li><li>• Débranchez l'appareil de la prise murale, attendez 10 secondes, puis rebranchez le cordon.</li></ul>





## Garantie

### **GARANTIE LIMITÉE 2 ANS**

Sage Appliances garantit ce produit pour un usage domestique sur les territoires spécifiés pendant 2 ans à compter de la date d'achat, contre les défauts de fabrication et de matériaux. Au cours de cette période de garantie, Sage Appliances s'engage à réparer, remplacer ou rembourser tout produit défectueux (à sa seule discrétion).

Tous les droits de garantie légaux en vertu de la législation nationale applicable seront respectés et ne seront pas compromis par notre garantie. Pour connaître les conditions générales complètes relatives à la garantie ou pour obtenir des instructions sur la manière de déposer une réclamation, rendez-vous sur [www.sageappliances.com](http://www.sageappliances.com).

# Déclaration à l'intention du consommateur

## SAGE FRANCE - GARANTIE LIMITÉE

Sage Appliances garantit ce produit pour un usage domestique sur les territoires spécifiés pendant 2 ans à compter de la date d'achat initiale du produit contre les défauts de fabrication et de matériaux. La période de garantie peut-être supérieure pour certains produits ou pour certaines pièces de produits. Au cours de cette période de garantie, Sage Appliances s'engage à réparer, remplacer ou rembourser tout produit défectueux (à sa seule discrétion).

Tous les droits de garantie légaux en vertu de la législation nationale applicable seront respectés et ne seront pas compromis par notre garantie. Pour connaître les conditions générales complètes relatives à la garantie ou pour obtenir des instructions sur la manière de déposer une réclamation, rendez-vous sur [www.sageappliances.com](http://www.sageappliances.com).

Les dispositions de la présente garantie ne sont pas exclusives du bénéfice, au profit de l'acheteur, de la garantie légale de conformité prévue par les articles L. 217-4 et suivants du Code de la consommation, ainsi que de la garantie des vices cachés prévue par les articles 1641 et suivants du Code civil, qui sont en tout état de cause applicables et ce même en l'absence d'application ou en cas d'exclusion de la garantie conventionnelle.

Lorsqu'il agit en garantie légale de conformité, le consommateur :

- bénéficie d'un délai de deux ans à compter de la délivrance du bien pour agir ;
- peut choisir entre la réparation ou le remplacement du bien, sous réserve des conditions de coût prévues par l'article L. 217-9 du code de la consommation ;
- est dispensé de rapporter la preuve de l'existence du défaut de conformité du bien durant les vingt-quatre mois suivant la délivrance du bien.

La garantie légale de conformité s'applique indépendamment de la garantie commerciale éventuellement consentie.

Le consommateur peut décider de mettre en œuvre la garantie contre les défauts cachés de la chose vendue au sens de l'article 1641 du Code civil ; dans cette hypothèse, il peut choisir entre la résolution de la vente ou une réduction du prix de vente conformément à l'article 1644 du Code civil.

### Article L. 217-4 du Code de la consommation :

« Le vendeur livre un bien conforme au contrat et répond des défauts de conformité existant lors de la délivrance. Il répond également des défauts de conformité résultant de l'emballage, des instructions de montage ou de l'installation lorsque celle-ci a été mise à sa charge par le contrat ou a été réalisée sous sa responsabilité. »

### Article L. 217-5 du Code de la consommation :

« Le bien est conforme au contrat : 1° S'il est propre à l'usage habituellement attendu d'un bien semblable et, le cas échéant :

- s'il correspond à la description donnée par le vendeur et possède les qualités que celui-ci a présentées à l'acheteur sous forme d'échantillon ou de modèle ;
- s'il présente les qualités qu'un acheteur peut légitimement attendre eu égard aux déclarations publiques faites par le vendeur, par le producteur ou par son représentant, notamment dans la publicité ou l'étiquetage;

2° Ou s'il présente les caractéristiques définies d'un commun accord par les parties ou est propre à tout usage spécial recherché par l'acheteur, porté à la connaissance du vendeur et que ce dernier a accepté. »

### Article L 217-12 du Code de la consommation :

« L'action résultant du défaut de conformité se prescrit par deux ans à compter de la délivrance du bien. »

### Article L 217-16 du Code de la consommation :

« Lorsque l'acheteur demande au vendeur, pendant le cours de la garantie commerciale qui lui a été consentie lors de l'acquisition ou de la réparation d'un bien meuble, une remise en état couverte par la garantie, toute période d'immobilisation d'au moins sept jours vient s'ajouter à la durée de la garantie qui restait à courir. Cette période court à compter de la demande d'intervention de l'acheteur ou de la mise à disposition pour réparation du bien en cause, si cette mise à disposition est postérieure à la demande d'intervention. »

### Article 1641 du Code de la consommation :

« Le vendeur est tenu de la garantie à raison des défauts cachés de la chose vendue qui la rendent impropre à l'usage auquel on la destine, ou qui diminuent tellement cet usage que l'acheteur ne l'aurait pas acquise, ou n'en aurait donné qu'un moindre prix, s'il les avait connus. »

### Article 1648, al.1er du Code civil :

« L'action résultant des vices rédhibitoires doit être intentée par l'acquéreur dans un délai de deux ans à compter de la découverte du vice. »

*the Tea Maker™ Compact*



NL SNESTARTGIDS

**Sage®**



## Inhoud

- 2 Belangrijke veiligheidsmaatregelen
- 6 Onderdelen
- 8 Functies
- 10 Onderhoud en reiniging
- 12 Problemen oplossen
- 13 Garantie

## **SAGE® STELT VEILIGHEID VOOROP**

**Bij Sage® gaan we zeer veiligheidsbewust te werk. Bij het ontwerpen en produceren van onze consumentenproducten staat de veiligheid van onze gewaardeerde klanten voorop. Daarnaast vragen wij u voorzichtig om te gaan met elektrische apparaten en de volgende voorzorgsmaatregelen in acht te nemen.**

## **BELANGRIJKE VEILIGHEIDS- MAATREGELEN**

**LEES ALLE INSTRUCTIES  
VÓÓR GEBRUIK EN BEWAAR  
DEZE VOOR TOEKOMSTIGE  
NASLAG**

- Een downloadbare versie van dit document is ook beschikbaar op [sageappliances.com](http://sageappliances.com)
- Zorg er vóór het eerste gebruik voor dat uw elektriciteitsvoorziening dezelfde is als die op het label aan de onderkant van het apparaat. Als u zich zorgen maakt, neem dan contact op met uw plaatselijke elektriciteitsbedrijf.
- Verwijder voor het eerste gebruik het verpakkingsmateriaal en gooi het op een veilige manier weg.
- Gooi het beschermkapje op de stekker op een veilige manier weg om verstikkingsgevaar bij jonge kinderen te voorkomen.
- Dit apparaat is speciaal ontworpen voor het verwarmen en koken van kwalitatief goed drinkwater en thee. Dit product mag in geen geval worden gebruikt om andere vloeistoffen of etenswaren op te warmen of te koken.
- Plaats het apparaat op een stabiele, hittebestendige, vlakke, droge ondergrond, weg van de rand, en gebruik het niet op of in de buurt van een warmtebron zoals een kookplaat, oven of gasfornuis.
- Plaats het apparaat niet op of in de buurt van een heet gasfornuis of elektrische kookplaat, of waar het in aanraking kan komen met een hete oven.

- Plaats het apparaat op ten minste 20 cm van muren of warmte-/stoomgevoelige materialen en zorg voor voldoende ruimte voor luchtcirculatie, zowel boven als rondom het apparaat.
- Gebruik de waterkoker niet op het afgedruipgedeelte van een gootsteen.
- Controleer altijd of het apparaat op de juiste manier in elkaar is gezet voordat u het aansluit op een stopcontact en gebruikt. Volg de instructies in deze gids.
- Het wordt aanbevolen een aardlekschakelaar te installeren voor extra veiligheid bij het gebruik van alle elektrische apparaten. Veiligheidsschakelaars met een nominale bedrijfsstroom van niet meer dan 30 mA worden aanbevolen. Raadpleeg een elektricien voor professioneel advies.
- De glazen kan mag alleen met de meegeleverde basis worden gebruikt. Gebruik de kan niet op een gasfornuis.
- Dit apparaat is niet ontworpen om te worden bediend met behulp van een externe timer of een afzonderlijk afstandsbedieningssysteem.
- Hete oppervlakken niet aanraken. Gebruik de handvaten om de glazen kan op te tillen en te verplaatsen.
- Zorg voor gebruik dat het deksel goed op de glazen kan zit.
- Plaats niets bovenop het deksel.
- Open het deksel van de kan niet terwijl het apparaat in werking is aangezien u zich kunt verbranden.
- Wees uiterst voorzichtig wanneer u de glazen kan met hete vloeistof verplaatst.
- Wees voorzichtig wanneer u water uit de glazen kan giet aangezien kokend water en stoom brandwonden kunnen veroorzaken. Giet het water niet te snel uit.
- Vul de glazen kan nooit voorbij de markering WATER MAX (wanneer u water verwarmt) of TEA MAX (wanneer u thee zet) om brandwonden te voorkomen.
- Gebruik het apparaat niet zonder dat er water in zit. Vul de glazen kan altijd ten minste tot de MIN-markering. Als u de waterkoker zonder water gebruikt, schakelt de droogkookbeveiliging het apparaat automatisch uit. Laat het apparaat afkoelen voordat u het opnieuw vult.



## WAARSCHUWING

- Haal de glazen kan niet van de basis tijdens het verwarmen of wanneer het mandje wordt gebruikt. Zorg dat het apparaat de cyclus voor waterverwarming of thee-infusie heeft voltooid voordat u de glazen kan van de basis haalt.
- Het gebruik van accessoires die niet door Sage® worden aanbevolen, kan leiden tot brand, elektrische schokken of persoonlijk letsel.
- Zorg er altijd voor dat het apparaat UIT staat, de stekker uit het stopcontact is gehaald en het apparaat is afgekoeld voordat u het schoonmaakt, probeert te verplaatsen of opbergt.
- Haal de stekker uit het stopcontact wanneer het apparaat niet in gebruik is of onbeheerd wordt achtergelaten.
- Laat het apparaat tussen infusiecycli afkoelen.
- Houd de glazen kan schoon. Volg de reinigingsinstructies in deze gids.
- Gebruik geen agressieve schuurmiddelen of bijtende reinigingsmiddelen wanneer u dit apparaat schoonmaakt.
- Laat kinderen niet met het apparaat spelen.
- De glazen kan is speciaal behandeld om deze sterker, duurzamer en veiliger te maken dan gewoon glas, maar de

kan is niet onbreekbaar. Als de kan valt of extreem hard wordt geraakt, kan deze breken of verzwakken en op een later tijdstip zonder duidelijke oorzaak verbrijzelen.

- Onderhoud anders dan reiniging moet worden uitgevoerd door een geautoriseerd Sage®-servicecentrum.
- Dit apparaat kan worden gebruikt door kinderen van 8 jaar en ouder en personen met beperkte fysieke, zintuiglijke of mentale capaciteiten of een gebrek aan ervaring en kennis, mits zij worden begeleid of instructies hebben gekregen over het veilige gebruik van het apparaat en de gevaren ervan begrijpen.
- Laat kinderen niet met het apparaat spelen.
- Zet het apparaat altijd UIT en haal de stekker uit het stopcontact wanneer het apparaat niet in gebruik is.



## WAARSCHUWING

- Was de buitenkant van de kan niet af onder stromend water.



# BELANGRIJKE VEILIGHEIDS- MAATREGELEN VOOR ALLE ELEKTRISCHE APPARATEN

- Wikkel het netsnoer volledig af voordat u het apparaat gebruikt.
- Dit apparaat is alleen voor huishoudelijk gebruik. Gebruik het apparaat alleen voor het beoogde gebruik. Gebruik het niet in bewegende voertuigen of boten. Gebruik het niet buitenshuis. Verkeerd gebruik kan tot letsel leiden.
- Zorg dat het netsnoer niet over de rand van een aanrecht of tafel hangt, in aanraking komt met hete oppervlakken of in de knoop raakt.
- Wanneer het apparaat door kinderen of in de buurt van kinderen wordt gebruikt, is nauwlettend toezicht vereist.
- Reiniging van het apparaat mag niet door kinderen worden uitgevoerd, tenzij ze ten minste 8 jaar oud zijn en onder toezicht staan.
- Het apparaat en het snoer moeten buiten het bereik van kinderen jonger dan 8 jaar worden gehouden.

- Gebruik het apparaat niet als het netsnoer, de stekker of het apparaat op enigerlei wijze beschadigd is. Neem contact op met de klantenservice van Sage of ga naar [sageappliances.com](http://sageappliances.com) als er sprake is van schade en er ander onderhoud dan reiniging is vereist.



## WAARSCHUWING

- Gebruik het apparaat niet op een schuin oppervlak.
- Verplaats het apparaat niet wanneer het is ingeschakeld.



Het weergegeven symbool geeft aan dat dit apparaat niet met het normale huishoudelijk afval mag worden weggegooid. Het moet naar een geschikt plaatselijk afvalverwerkingscentrum worden gebracht of naar een provider die deze service biedt. Neem voor meer informatie contact op met uw gemeente.

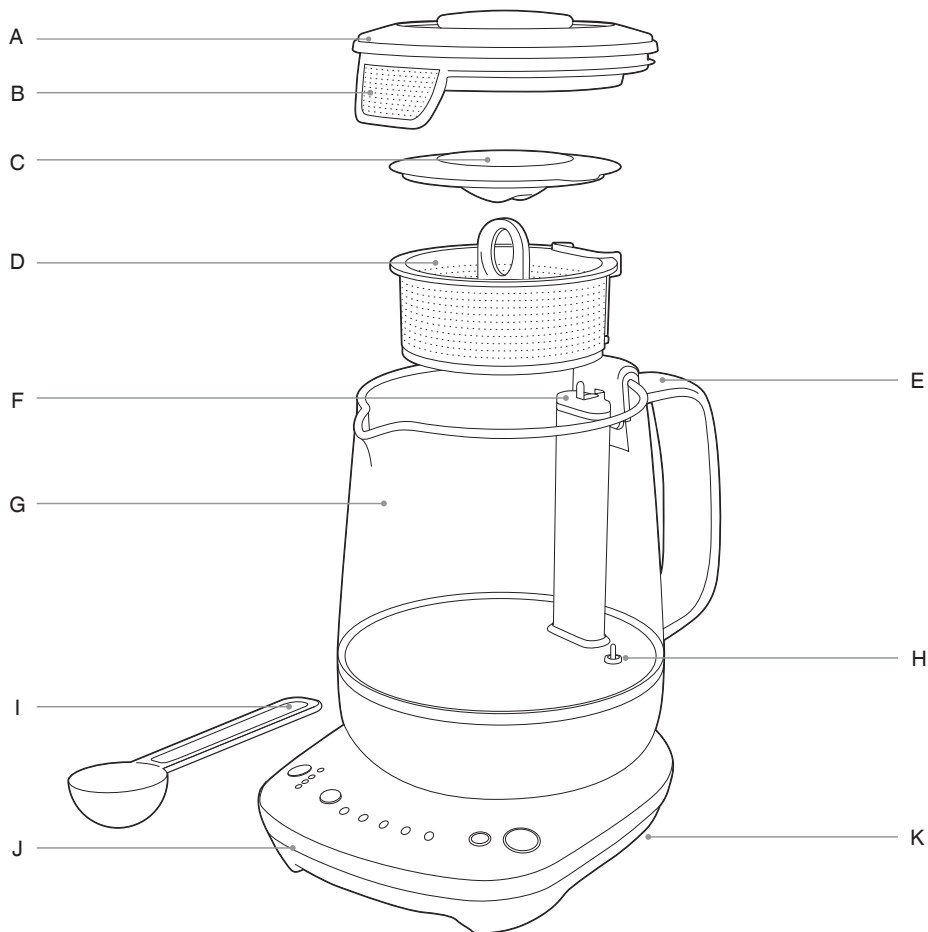


Vermijd elektrische schokken: dompel de onderkant van de glazen kan, de basis, het netsnoer of de stekker niet onder in water en zorg dat er geen vocht in contact komt met deze onderdelen. Zorg dat u geen water morst op de connector van de basis. Dompel de glazen kan of de basis niet onder tijdens het reinigen.

## BEWAAR DEZE INSTRUCTIES



## Onderdelen



A. Deksel

B. Kalkfilter

C. Deksel theemandje

D. Theemandje

E. Handvat

F. Magnetisch hulpstuk in de kan

G. Glazen kan

Max. 1000 ml water, max. 800 ml thee

H. Temperatuursensor

I. Theescheepje

J. Basis

K. Snoeropbergruimte  
Onder basis



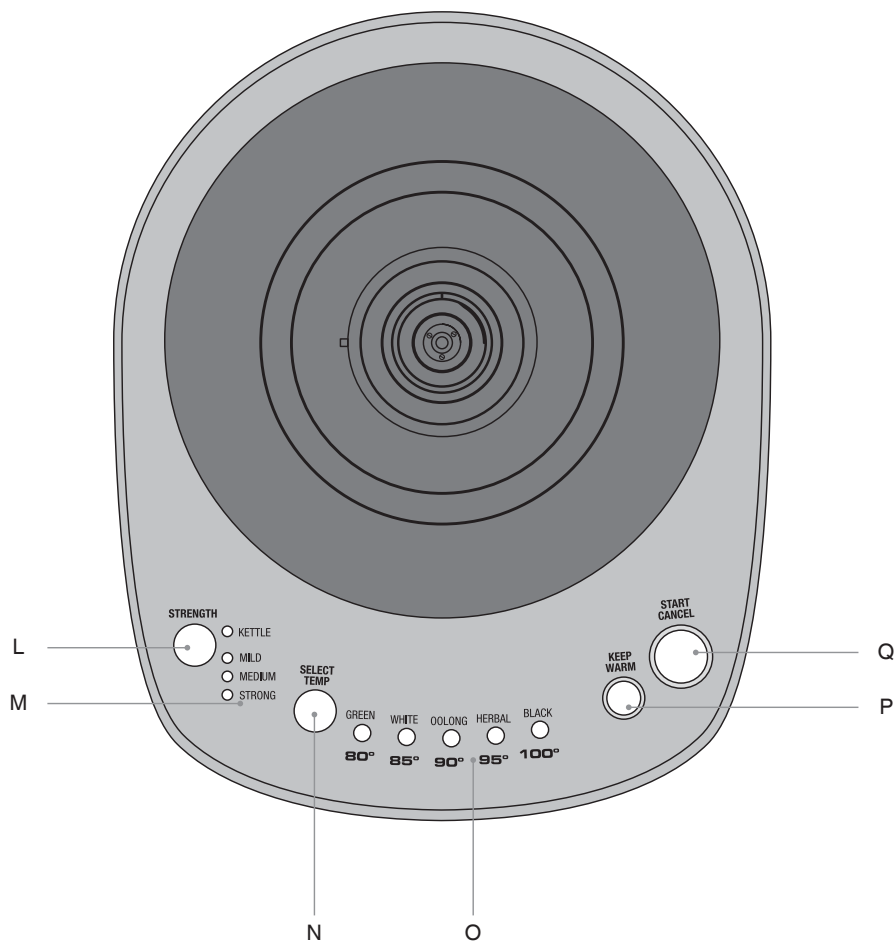
### Classificatiegegevens

220 – 240 V ~ 50 - 60 Hz 1380 W - 1600 W





## Onderdelen



### L. Knop STRENGTH

Vooraf ingestelde infusietijden aanbevolen voor een lichte, gemiddelde en sterke infusie van elke theesoort.

### M. Indicator voor thee-intensiteit

### N. Knop SELECT/TEMP

Selecteer de theesoort/infusietemperatuur aanbevolen voor groene thee, witte thee, oolong, kruidenthee en zwarte thee.

### O. Indicator voor temperatuur/theesoort

### P. Knop KEEP WARM

Houdt gezette thee of verwarmd water tot 60 minuten warm.

### Q. Knop START/CANCEL

Start en stopt de verwarmingscyclus.



## Funcities

### VOOR HET EERSTE GEBRUIK

Om stof en resten van beschermende stoffen van het fabricageproces te verwijderen, is het raadzaam een kookcyclus uit te voeren en het water weg te gieten.

1. Verwijder verpakkingsmaterialen, promotielabels en tape van de Tea Maker™ Compact en gooi ze op een veilige manier weg.
2. Verwijder het deksel van de kan en haal vervolgens het theemandje van het magnetische hulpstuk in de glazen kan. Was het deksel van de kan, het theemandje, het deksel van het mandje en het theeschepje in warm zeepsop af met een zachte spons, en spoel en droog alles grondig af.



### WAARSCHUWING

Dompel de basis van de glazen kan, de basis van het apparaat, het netsnoer of de stekker niet onder in water en zorg ervoor dat er geen vocht in contact komt met deze onderdelen.

3. Plaats de basis op een vlak, droog oppervlak.
4. Vul de glazen kan, zonder het theemandje, tot de WATER MAX-markering (1000 ml) en zet de kan vervolgens op de basis. Zorg dat het deksel van de kan goed op de glazen kan zit.



### WAARSCHUWING

Vul de glazen kan nooit met gekoeld water. Laat de Tea Maker™ Compact afkoelen voordat u deze bijvult.



### WAARSCHUWING

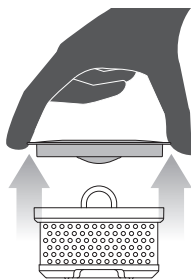
Als de kan tot voorbij de MAX-markering wordt gevuld, kan dit tot ernstige brandwonden of letsel leiden als gevolg van overlopend heet of kokend water. Als de kan niet tot de MIN-markering wordt gevuld, zal de Tea Maker™ Compact zichzelf

uitschakelen voordat het water kookt of de geselecteerde temperatuur heeft bereikt.

5. Wikkel het netsnoer volledig af en sluit de stekker aan op een geaard stopcontact.
6. Gebruik de knop SELECT/TEMP om BLACK/100° te selecteren en druk vervolgens op de knop START/CANCEL. Het lampje zal van rood naar wit veranderen, wat aangeeft dat de verwarmingscyclus actief is.
7. Zodra het water de geselecteerde temperatuur heeft bereikt, piept de waterkoker één keer.
8. Giet het water weg. De Tea Maker™ Compact is nu klaar voor gebruik.

### THEE ZETTEN

1. Vul de glazen kan met de gewenste hoeveelheid water. Vul de kan steeds tot voorbij de MIN-markering en tot de MAX-markering of eronder. De maximuminhoud voor het zetten van thee is 800 ml.
2. Plaats het theemandje op een vlak, droog oppervlak. Verwijder het deksel van het mandje door het aan de zijkanten op te tillen.

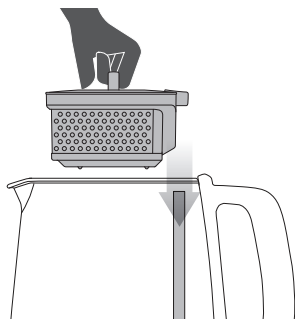


3. Gebruik het meegeleverde theeschepje om het mandje met losse thee te vullen. Als algemene richtlijn gebruikt u 1 schepje thee per kopje/250 ml water. Dit is echter afhankelijk van de instructies voor de thee en uw persoonlijke voorkeur.

### Verhouding van water tot thee

500 ml	2 schepjes
750 ml	3 schepjes

- Plaats het deksel van het mandje terug en zorg dat het goed vastklikt.
- Bevestig het theemandje aan het magnetische hulpstuk in de glazen kan.



- Plaats het deksel van de kan goed terug en zorg dat het filter met de tuit is uitgelijnd.

## DE THEESOORT SELECTEREN

- De theesoort bepaalt de infusie-temperatuur. De Tea Maker™ Compact heeft 5 vooraf ingestelde theesoorten die worden aanbevolen voor een optimale infusie van groene thee, witte thee, oolong, kruidenthee en zwarte thee.

THEESOORT	Groen	Wit	Oolong	Kruiden	Zwart	
Ingestelde infusietemp.	80 °C	85 °C	90 °C	95 °C	100 °C	
Intensiteit (min.)	Licht	2	3	3	4	3
	Gemiddeld	3	4	4	5	4
	Sterk	4	5	5	6	5



## OPMERKING

Dit product is niet afgesteld voor commercieel of wetenschappelijk gebruik. Temperaturen kunnen met zo'n 3°C variëren, wat binnen het bereik ligt voor een optimale infusie van elke theesoort.

- Druk op de knop SELECT/TEMP totdat de gewenste thee/temperatuur oplicht. De gewenste intensiteit van de thee is van invloed op de infusieduur. De juiste infusieduur hangt af van de theesoort en uw persoonlijke voorkeur wat betreft intensiteit. Met de Tea Maker™ Compact

kunt u tussen een lichte, gemiddelde en sterke thee-infusie kiezen.

- Druk op de STRENGTH-knop om de gewenste intensiteit/infusieduur te selecteren. Raadpleeg de bovenstaande tabel voor de aanbevolen infusieduur per theesoort. Met de KETTLE-instelling kunt u water tot de gewenste temperatuur koken. Het mandje wordt hierbij niet gebruikt.
- Druk op de knop START/CANCEL om het water te verwarmen.
- Zodra de gewenste infusietemperatuur is bereikt, zakt het theemandje automatisch in het verwarmde water. Het mandje blijft in deze positie totdat de infusieduur is verstreken.
- Aan het einde van de infusiecyclus gaat het theemandje automatisch helemaal omhoog om een te sterke infusie te vermijden. Het theesignaal klinkt 3 keer om aan te geven dat uw thee klaar is.



## WAARSCHUWING

Nadat de thee is gezet, voelt het theemandje heet aan. Zorg dat de handgreep van het theemandje is afgekoeld voordat u deze vastpakt.

## KEEP WARM

Als KEEP WARM vóór verhitting wordt geselecteerd, wordt de gezette thee 60 minuten warm gehouden. Wanneer de glazen kan van de basis wordt gehaald, wordt de warmhoudfunctie geannuleerd.

Om deze opnieuw voor 60 minuten te activeren, plaatst u de glazen kan met de resterende thee terug op de basis en drukt u op KEEP WARM. Het lampje gaat branden wanneer de functie is geselecteerd.

## KOKEND WATER

Om water te koken, verwijdert u het theemandje en vult u de glazen kan met water. Plaats het deksel van de kan terug en zet de glazen kan op de basis. Selecteer de gewenste temperatuur door op SELECT/TEMP te drukken en vervolgens op de STRENGTH-knop om KETTLE te selecteren.



## Onderhoud en reiniging

### DE GLAZEN KAN REINIGEN

- Maak de glazen kan na elk gebruik leeg. Laat gezette thee niet de hele nacht in de kan staan. Laat de glazen kan volledig afkoelen voordat u deze schoonmaakt.
- Veeg de binnenkant van de glazen kan schoon met een zachte, vochtige doek of spoel om met warm water.
- Veeg de buitenkant van de glazen kan schoon met een zachte, vochtige doek.



### WAARSCHUWING

De glazen kan nooit in water onderdompelen of de buitenkant ervan onder stromend water afwassen.



### OPMERKING

Gebruik geen chemicaliën, staalwol of schurende schoonmaakmiddelen om de binnen- of buitenkant van de glazen kan te reinigen aangezien hierdoor krassen op het oppervlak kunnen ontstaan.

- Om de opeenhoping van tannine, de scherpe chemische stof in thee, te verwijderen, haalt u het theemandje uit de glazen kan, vult u de kan met water tot aan de maximummarkering voor water en brengt u het water aan de kook. Laat het één minuut afkoelen. Voeg de inhoud van een zakje Sage Tea Maker Cleaner toe (beschikbaar via de website van Sage) en laat 5 minuten staan. Giet de waterkoker leeg, vul deze opnieuw met zuiver water en breng het aan de kook. Herhaal deze stap opnieuw en spoel vervolgens de binnenkant van de glazen kan goed om. Droog voor gebruik grondig af met een zachte, pluisvrije doek.



### OPMERKING

Door regelmatig gebruik kan kalkaanslag ontstaan, wat de prestaties en levensduur van de Tea Maker™ Compact na verloop van tijd beïnvloedt. Kalk en fosfaat kunnen uw Sage Tea Maker™ Compact beschadigen. Kalk is een onschadelijk mineraal dat eruitziet als een witte of roestkleurige aanslag op de zijkanten en basis van de glazen kan. Fosfaat is daarentegen onzichtbaar, maar kan het water troebel maken wanneer het wordt verwarmd. Om schade door aanslag in uw Tea Maker™ Compact te voorkomen, moet u de glazen kan regelmatig ontkalken. Gebruik de Sage Descaler (verkrijgbaar op de Sage-website) en volg de instructies.



### WAARSCHUWING

Veroorzaakt huidirritatie. Na het werken met dit product handen grondig wassen. Beschermende handschoenen/beschermende kleding/oogbescherming/gelaatsbescherming dragen.



### OPMERKING

Laat alle onderdelen van de Tea Maker™ Compact volledig afkoelen voordat u het apparaat uit elkaar haalt en schoonmaakt.



### WAARSCHUWING

Dompel de basis en het deksel van de glazen kan, de basis van het apparaat, het netsnoer of de stekker niet onder in water en zorg ervoor dat er geen vocht in contact komt met deze onderdelen.

## HET MANDJE REINIGEN

- Was het theemandje en het deksel van het mandje in warm zeepsop af met een zachte spons, en spoel en droog alles grondig af.
- Een niet-schurend vloeibaar schoonmaakmiddel of milde spray kan gebruikt worden om hardnekkige vlekken van het mandje te verwijderen. Breng voor het reinigen het schoonmaakmiddel aan op de spons, niet rechtstreeks op het oppervlak van het mandje.
- Laat alle oppervlakken goed drogen voordat u ze gebruikt.

## DE BASIS REINIGEN

- Veeg de basis schoon met een zachte, vochtige spons.
- Laat alle oppervlakken goed drogen voordat u de stekker in het stopcontact steekt.

## OPBERGEN

- Zorg ervoor dat de Tea Maker™ Compact uit staat en schoon en volledig droog is voordat u het apparaat opbergt.
- Zorg ervoor dat het theemandje goed in elkaar is gezet.
- Zorg dat het deksel van de kan goed op de kan zit.
- Wikkel het netsnoer om de opbergruimte onder de basis.
- Bewaar de Tea Maker™ Compact recht op op de basis. Plaats niets bovenop het apparaat.



# Problemen oplossen

PROBLEEM	WAT TE DOEN
<b>De Tea Maker™ Compact gaat niet aan</b>	<ul style="list-style-type: none"><li>• Controleer of de stekker goed op het stopcontact is aangesloten.</li><li>• Steek de stekker in een apart stopcontact.</li><li>• Steek de stekker in een ander stopcontact.</li><li>• Stel de stroomonderbreker indien nodig opnieuw in.</li><li>• Voor extra veiligheid is de Tea Maker™ Compact uitgerust met een thermische beveiliging. In geval van ernstige oververhitting wordt de Tea Maker™ Compact automatisch uitgeschakeld om verdere schade te voorkomen.</li></ul>
<b>De basis van de Tea Maker™ Compact licht niet op en er kunnen geen functies worden geselecteerd</b>	<ul style="list-style-type: none"><li>• Haal de stekker uit het stopcontact en steek deze vervolgens weer in het contact. Haal de glazen kan van de basis en zet deze weer terug. Alle knoppen moeten nu oplichten en de Tea Maker™ Compact is klaar voor gebruik.</li></ul>
<b>De Tea Maker™ Compact werkt niet</b>	<ul style="list-style-type: none"><li>• Controleer of de glazen kan stevig op de basis staat.</li></ul>
<b>Ik kan een bepaalde functie niet selecteren</b>	<ul style="list-style-type: none"><li>• Bepaalde functies kunnen niet worden geselecteerd of gewijzigd tijdens de verwarmings- of infusiecyclus. De led-lampjes rond de knoppen geven aan welke functies beschikbaar zijn.</li></ul>
<b>Na het koken van water verschijnen er belletjes rond de temperatuursensor</b>	<ul style="list-style-type: none"><li>• Dit is normaal voor de functionaliteit van de Tea Maker™ Compact.</li></ul>
<b>Mijn thee smaakt te zwak of te sterk</b>	<ul style="list-style-type: none"><li>• Zorg ervoor dat de juiste intensiteit is geselecteerd voordat u de infusie start.</li><li>• Volg de reinigingsinstructies in deze gids.</li></ul>
<b>Het theemandje beweegt niet</b>	<ul style="list-style-type: none"><li>• Het theemandje beweegt niet tijdens de verwarmingscyclus.</li><li>• Het theemandje gaat pas bewegen wanneer de geselecteerde temperatuur is bereikt. Het theemandje blijft beneden in de kan totdat de infusieduur is verstreken.</li><li>• Haal de stekker uit het stopcontact, wacht 10 seconden en steek deze dan weer in het contact.</li></ul>



## Garantie

### **BEPERKTE GARANTIE VAN 2 JAAR**

Sage Appliances biedt een garantie op dit product voor huishoudelijk gebruik in genoemde gebieden gedurende 2 jaar vanaf de datum van aankoop tegen defecten veroorzaakt door gebrekkige afwerking en materialen. Gedurende deze garantieperiode zal Sage Appliances defecte producten repareren, vervangen of terugbetalen (naar eigen goeddunken van Sage Appliances).

Alle wettelijke garantierechten onder de toepasselijke nationale wetgeving worden gerespecteerd en onze garantie doet geen afbreuk aan deze rechten. Voor de algemene voorwaarden van de garantie, evenals instructies over hoe u aanspraak maakt op de garantie, gaat u naar [www.sageappliances.com](http://www.sageappliances.com).



## Opmerkingen



# *the Tea Maker™ Compact*



IT GUIDA RAPIDA

# Sage®



## Sommario

- 2 Norme di sicurezza importanti
- 6 Componenti
- 8 Funzioni
- 10 Manutenzione e pulizia
- 12 Risoluzione dei problemi
- 13 Garanzia

# **SAGE® CONSIGLIA: LA SICUREZZA PRIMA DI TUTTO**


**In Sage® abbiamo molto a cuore la sicurezza. Creiamo e commercializziamo prodotti di consumo tenendo sempre presente la sicurezza dei nostri clienti. Inoltre, invitiamo i clienti a prestare molta attenzione durante l'utilizzo degli apparecchi elettrici e a osservare le seguenti precauzioni.**

## **NORME DI SICUREZZA IMPORTANTI**

**LEGGERE TUTTE LE  
ISTRUZIONI PRIMA**

## **DELL'USO E CONSERVARLE PER CONSULTARLE IN FUTURO**

- Sul sito [sageappliances.com](http://sageappliances.com) è disponibile anche una versione scaricabile di questo documento.
- Prima di usare l'apparecchio per la prima volta, verificare che la tensione della rete corrisponda a quella indicata sull'etichetta dei valori nominali sotto il dispositivo. In caso di dubbi, contattare l'azienda fornitrice di elettricità locale.
- Rimuovere e smaltire in sicurezza tutti i materiali di imballaggio prima di utilizzare l'apparecchio per la prima volta.
- Per eliminare il rischio di soffocamento per i bambini, smaltire in sicurezza la copertura protettiva della spina.
- Questo apparecchio è stato progettato specificamente per riscaldare e bollire solo acqua potabile e tè. In nessun caso questo prodotto deve essere utilizzato per riscaldare o bollire altri liquidi o prodotti alimentari.
- Posizionare l'elettrodomestico su una superficie stabile, resistente al calore, piana e asciutta, lontano dal bordo della superficie. Utilizzare l'apparecchio lontano da fonti di calore come piastre elettriche, fornelli a gas o forni.
- Non collocare l'apparecchio sopra o vicino a un fornello

- a gas caldo, a un elemento elettrico o dove potrebbe entrare in contatto con un forno riscaldato.
- Posizionare l'apparecchio ad almeno 20 cm da pareti o materiali sensibili al calore e al vapore e lasciare uno spazio adeguato sopra e su tutti i lati per la circolazione dell'aria.
  - Evitare di usare il bollitore sul pianale del lavello.
  - Verificare sempre che l'elettrodomestico sia montato correttamente prima di collegarlo a una presa di corrente e avviarlo. Seguire le istruzioni fornite in questo libretto.
  - Si consiglia l'installazione di un interruttore salvavita per una maggiore sicurezza durante l'utilizzo di tutti i dispositivi elettrici. Si consiglia l'uso di un salvavita con corrente operativa nominale non superiore a 30 mA. Rivolgersi a un elettricista per un parere professionale.
  - La brocca di vetro deve essere usata solo con la base di alimentazione in dotazione. Non utilizzare sul piano cottura.
  - L'apparecchio non è destinato ad essere utilizzato per mezzo di un timer esterno o di un sistema di controllo remoto separato.
  - Evitare il contatto con le superfici calde. Usare il manico per sollevare e trasportare la brocca di vetro.
  - Montare saldamente il coperchio sulla brocca di vetro prima dell'uso.
  - Non collocare nessun oggetto sul coperchio.
  - Non sollevare il coperchio della brocca durante il funzionamento per evitare ustioni.
  - Usare estrema cautela quando si sposta la brocca di vetro contenente liquido bollente.
  - Prestare attenzione quando si versa acqua dalla brocca di vetro perché l'acqua bollente e il vapore potrebbero provocare ustioni. Non versare l'acqua troppo velocemente.
  - Per evitare ustioni, non riempire mai la brocca di vetro oltre i segni "WATER MAX" (quando si scalda l'acqua) o "TEA MAX" (quando si prepara il tè).
  - Non utilizzare l'elettrodomestico senza acqua. Riempire sempre la brocca di vetro almeno fino al segno "MIN". Se l'apparecchio viene utilizzato senza acqua, la protezione boil-dry spegnerà automaticamente l'alimentazione. Lasciare raffreddare l'elettrodomestico prima di riempirlo nuovamente.
-  **ATTENZIONE**
- Non rimuovere la brocca di vetro dalla base di alimentazione durante il riscaldamento o quando il filtro è in funzione.

Assicurarsi che l'apparecchio abbia completato il riscaldamento dell'acqua o il ciclo di infusione del tè prima di rimuovere la brocca di vetro dalla base di alimentazione.

- L'utilizzo di accessori non consigliati da Sage® può provocare incendi, scosse elettriche o lesioni.
- Prima di pulire, spostare o riporre l'elettrodomestico, assicurarsi sempre che sia spento e scollegato dalla presa di alimentazione e che si sia raffreddato a sufficienza.
- Quando l'apparecchio non è in uso o è lasciato incustodito, scollegarlo dalla presa di corrente.
- Lasciare raffreddare l'elettrodomestico tra un ciclo di infusione e il successivo.
- Mantenere pulita la brocca di vetro. Seguire le istruzioni di pulizia fornite in questo libretto.
- Non utilizzare prodotti abrasivi o detergenti caustici per pulire questo apparecchio.
- Non lasciare che i bambini giochino con l'elettrodomestico.
- La brocca di vetro è stata trattata appositamente per renderla più robusta, più resistente e più sicura del vetro comune, ma non è infrangibile. Se fatta cadere o colpita con forza, può rompersi o indebolirsi e potrebbe in un secondo momento frantumarsi in piccoli pezzi senza una causa apparente.

- Qualsiasi operazione di manutenzione diversa dalla pulizia deve essere eseguita da un centro assistenza Sage® autorizzato.
- L'elettrodomestico può essere utilizzato da bambini di età superiore a 8 anni e da persone con ridotte capacità motorie, sensoriali o mentali o prive di esperienza o conoscenza dell'elettrodomestico stesso, a condizione che queste ultime lo utilizzino sotto la supervisione di qualcuno o secondo specifiche istruzioni ricevute in merito all'uso in sicurezza dell'elettrodomestico e che comprendano i rischi associati.
- Non lasciare che i bambini giochino con l'elettrodomestico.
- Quando l'elettrodomestico non è in uso, spostare sempre l'interruttore in posizione OFF, spegnere l'interruttore della presa e scollegare il cavo.



#### ATTENZIONE

- Non lavare l'esterno della brocca sotto l'acqua corrente.



# NORME DI SICUREZZA IMPORTANTI PER TUTTI GLI ELETTRODOMESTICI

- Svolgere completamente il cavo prima dell'uso.
- Questo apparecchio è destinato esclusivamente all'uso domestico. Non utilizzare per usi diversi da quello previsto. Non utilizzare su veicoli in movimento o barche. Non utilizzare all'aperto. L'uso non corretto potrebbe provocare lesioni.
- Evitare che il cavo di alimentazione rimanga sospeso oltre il bordo di un tavolo o un banco, tocchi superfici calde o forni nodi.
- È necessaria una stretta supervisione quando qualsiasi elettrodomestico è utilizzato da o vicino a bambini.
- La pulizia dell'elettrodomestico può essere effettuata da bambini di età non inferiore a 8 anni e con la supervisione di un adulto.
- Tenere l'elettrodomestico e il cavo fuori dalla portata dei bambini di età pari o inferiore agli 8 anni.

- Non utilizzare l'elettrodomestico se il cavo di alimentazione, la presa o l'elettrodomestico stesso subiscono qualsiasi tipo di danneggiamento. Se l'elettrodomestico è danneggiato o richiede un intervento di manutenzione diverso dalla pulizia, contattare il Servizio clienti Sage o visitare il sito [Web.sageappliances.com](http://Web.sageappliances.com).



## ATTENZIONE

- Non utilizzare l'elettrodomestico su una superficie inclinata.
- Non spostare l'elettrodomestico mentre è acceso.



Questo simbolo indica che l'apparecchio non può essere smaltito con i rifiuti domestici comuni. Deve essere conferito presso un centro di smaltimento locale specializzato o presso un rivenditore che fornisce questo servizio. Per ulteriori informazioni, contattare l'ufficio comunale locale.

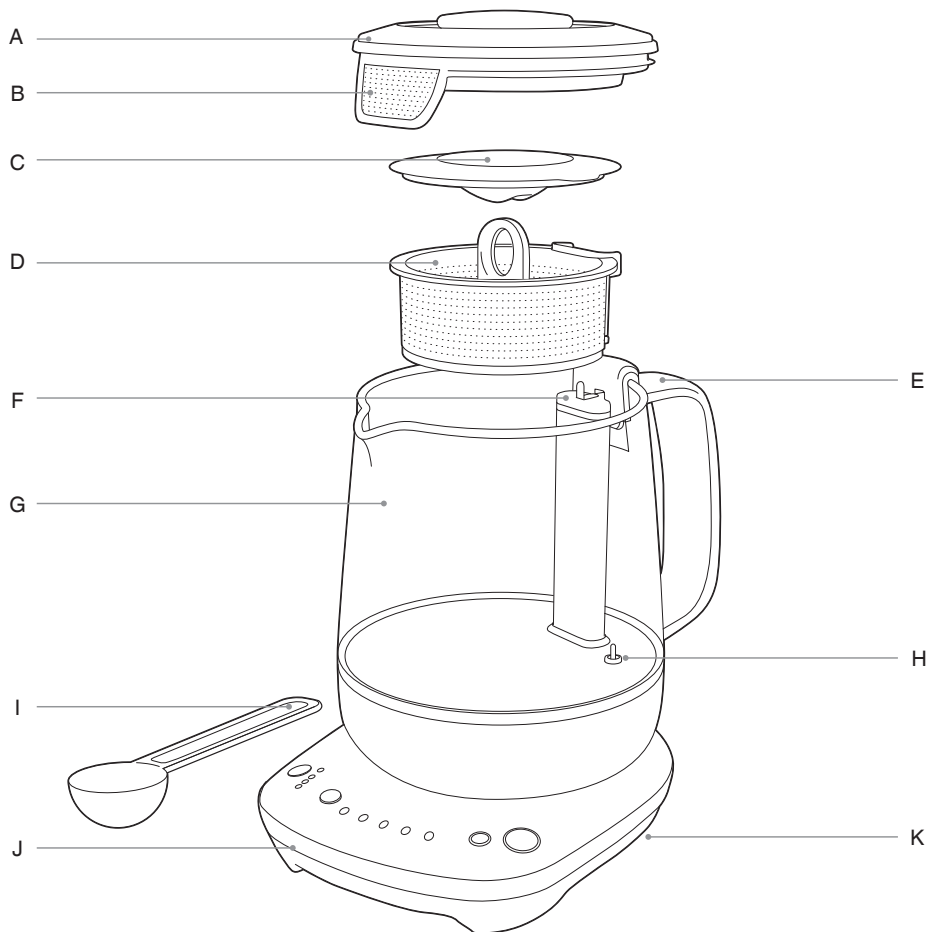


Per proteggersi da scosse elettriche, non immergere la base della brocca di vetro, la base di alimentazione, il cavo di alimentazione o la spina di alimentazione in acqua ed evitare che l'umidità entri in contatto con queste parti. Evitare di versare acqua sul connettore della base di alimentazione. Durante la pulizia, non immergere la brocca di vetro o la base di alimentazione in acqua.

## CONSERVARE QUESTE ISTRUZIONI



## Componenti



A. Coperchio della lattiera

B. Filtro anticalcare

C. Coperchio del filtro per tè

D. Filtro per tè

E. Manico

F. Supporto verticale della brocca

G. Brocca di vetro

Max 1000 ml di acqua, max 800 ml di tè.

H. Sensore di temperatura a immersione

I. Misurino per tè

J. Base di alimentazione

K. Avvolgicavo

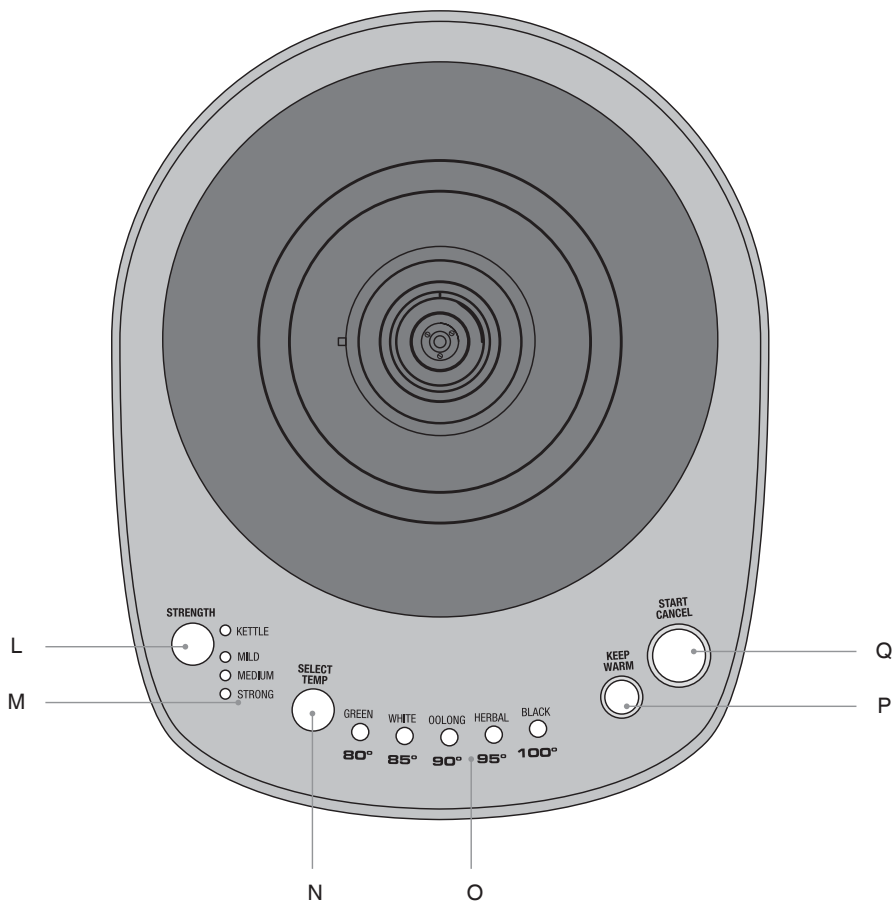
Nascosto sotto la base di alimentazione.



**Informazioni sui valori nominali**  
220-240 V ~ 50-60 Hz 1380-1600 W



## Componenti



- L.** Pulsante STRENGTH (intensità)  
Preimpostazioni raccomandate dei tempi di infusione per ogni varietà di tè (intensità lieve, media e forte).
- M.** Indicatore dell'intensità del tè
- N.** Pulsante SELECT/TEMP (selezione/temperatura)  
Seleziona il tipo di tè/la temperatura di infusione  
Consigliato per tè verde, bianco, oolong, nero e tisane.
- O.** Indicatore tipo di tè/temperatura
- P.** Pulsante KEEP WARM (mantieni caldo)  
Consente di mantenere la temperatura del tè preparato o dell'acqua riscaldata fino a 60 minuti.
- Q.** Pulsante START/CANCEL (avvio/annulla)  
Avvia e arresta il ciclo di riscaldamento.



## Funzioni

### PREPARAZIONE AL PRIMO UTILIZZO

Per rimuovere polvere e residui di materiali protettivi del processo di produzione, si raccomanda di eseguire un ciclo di ebollizione e quindi di eliminare l'acqua.

1. Rimuovere e smaltire in sicurezza tutti i materiali di imballaggio e le etichette promozionali da the Tea Maker™ Compact.
2. Rimuovere il coperchio della brocca e staccare il filtro del tè dal supporto magnetico all'interno della brocca di vetro. Lavare il coperchio della brocca, il filtro, il coperchio del filtro e il misurino con acqua tiepida e sapone usando una spugna morbida, quindi sciacquare e asciugare a fondo.



### ATTENZIONE

Non immergere mai la base della brocca di vetro, la base di alimentazione, il cavo o la spina di alimentazione in acqua ed evitare che l'umidità entri in contatto con queste parti.

3. Posizionare la base di alimentazione su una superficie piana e asciutta.
4. Dopo aver rimosso il filtro del tè, riempire la brocca di vetro fino al segno WATER MAX (1000 ml) e posizionarla sulla base di alimentazione. Montare saldamente il coperchio sulla brocca di vetro.



### ATTENZIONE

Non riempire la brocca di vetro con acqua troppo fredda. Lasciare raffreddare the Tea Maker™ Compact prima di riempirla nuovamente.



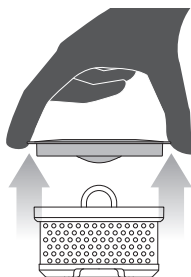
### ATTENZIONE

Riempire oltre la linea MAX può provocare gravi ustioni o lesioni a causa del traboccamento di acqua calda o bollente. Una quantità di acqua inferiore al livello indicato dal segno MIN causerà lo spegnimento di the Tea Maker™ Compact prima dell'ebollizione o del raggiungimento della temperatura desiderata.

5. Srotolare completamente il cavo di alimentazione e inserire la spina in una presa a muro con messa a terra.
6. Usare il pulsante SELECT/TEMP (selezione/temperatura) per selezionare BLACK/100° (nero/100°), quindi premere il pulsante START/CANCEL (avvio/annulla). L'illuminazione del pulsante cambierà colore da rosso a bianco, indicando che il ciclo di riscaldamento è in corso.
7. Una volta che l'acqua ha raggiunto la temperatura selezionata, il bollitore emetterà un segnale acustico.
8. Eliminare l'acqua. The Tea Maker™ Compact è ora pronta per l'utilizzo.

### PREPARARE IL TÈ

1. Riempire la brocca di vetro con la quantità d'acqua desiderata. Assicurarsi che il livello dell'acqua sia compreso fra i segni MIN e MAX. Si noti che il segno MAX corrisponde a 800 ml quando si prepara il tè.
2. Posizionare il filtro del tè su una superficie piana e asciutta. Rimuovere il coperchio del filtro sollevandolo dai lati.



3. Utilizzare il misurino fornito per riempire il filtro con le foglie di tè. Come riferimento generale, utilizzare 1 misurino di foglie di tè per tazza/250 ml di acqua. Tale quantità dipende tuttavia dalle istruzioni specifiche per il tipo di tè e dal gusto personale.

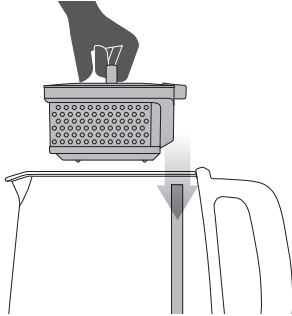
### Rapporto acqua/quantità di tè

500 ml	2 misurini
750 ml	3 misurini

4. Riposizionare il coperchio del filtro e assicurarsi che sia saldamente fissato in posizione.



5. Fissare il filtro al supporto magnetico all'interno della brocca di vetro.



6. Riposizionare il coperchio sulla brocca di vetro, assicurandosi che il filtro sia allineato con il beccuccio di uscita.

## SELEZIONARE IL TIPO DI TÈ

1. Il tipo di tè determina la temperatura di infusione. The Tea Maker™ Compact dispone di 5 preimpostazioni raccomandate per l'infusione ottimale di tè verde, bianco, oolong, nero e tisane.

TIPO DI TÈ	Verde	Bianco	Oolong	Tisana	Nero	
Temperatura di infusione preimpostata	80 °C	85 °C	90 °C	95 °C	100 °C	
Intensità (minuti)	Leggero	2	3	3	4	3
	Medio	3	4	4	5	4
	Forte	4	5	5	6	5



## NOTA

Questo prodotto non è calibrato per uso commerciale o scientifico. Le temperature possono variare di  $\pm 3$  °C, rientrando nell'intervallo di preparazione ottimale per ogni varietà di tè.

2. Tenere premuto il pulsante SELECT/TEMP (selezione/temperatura) finché la temperatura o il tipo di tè desiderati non si illuminano. L'intensità desiderata determina il tempo di infusione. Il tempo di infusione corretto dipende dal tipo di tè e dall'intensità preferita. The Tea Maker™ Compact consente di scegliere tra tre intensità leggera, media e forte.
3. Premere il pulsante STRENGTH (intensità) per selezionare l'intensità o il

tempo di infusione desiderati. Fare riferimento alla tabella TIPI DI TÈ sopra riportata per i tempi di infusione. Selezionando l'impostazione del bollitore si farà bollire l'acqua alla temperatura desiderata ma non si azionerà il filtro del tè.

4. Premere il pulsante START/CANCEL (avvio/annulla) per avviare il ciclo di riscaldamento.
5. Una volta raggiunta la temperatura di infusione selezionata, il filtro del tè si abbassa automaticamente nell'acqua riscaldata. Rimarrà in questa posizione fino a quando il tempo di infusione non sarà terminato.
6. Al termine del ciclo di infusione del tè, il filtro si solleva automaticamente verso la parte superiore della brocca di vetro per evitare un'infusione eccessiva. Il segnale acustico suonerà 3 volte per indicare che il tè è pronto.



## ATTENZIONE

Il filtro del tè è caldo al tatto dopo l'infusione. Assicurarsi che l'impugnatura del filtro del tè si sia raffreddata prima di toccarla.

## KEEP WARM (MANTIENI CALDO)

Se selezionata prima del riscaldamento, la funzione KEEP WARM (mantieni caldo) rimarrà attiva per 60 minuti dopo la preparazione del tè. Se la brocca di vetro viene rimossa dalla base di alimentazione, la funzione KEEP WARM (mantieni caldo) si disattiverà.

Per riattivarla per altri 60 minuti, posizionare la brocca di vetro con il tè rimanente sulla base di alimentazione e premere il pulsante KEEP WARM (mantieni caldo); la spia luminosa si accenderà quando la funzione è selezionata.

## FAR BOLLIRE L'ACQUA

Per far bollire l'acqua, rimuovere il filtro del tè e riempire d'acqua la brocca di vetro. Riposizionare il coperchio sulla brocca e collocare la brocca di vetro sulla base di alimentazione. Selezionare la temperatura desiderata premendo il pulsante SELECT/TEMP (selezione/temperatura), quindi premere il pulsante STRENGTH (intensità) per selezionare KETTLE (bollitore).



## Manutenzione e pulizia

### PULIRE LA BROCCA DI VETRO

- Svuotare la brocca di vetro dopo ogni utilizzo. Non lasciare il tè già preparato all'interno della brocca durante la notte. Lasciare che la brocca di vetro si raffreddi completamente prima di procedere alla pulizia.
- Pulire l'interno della brocca di vetro con una spugna morbida e umida o sciacquare con acqua tepida.
- Pulire l'esterno della brocca di vetro con un panno morbido umido.



### ATTENZIONE

Non immergere o lavare mai l'esterno della brocca di vetro sotto l'acqua corrente.



### NOTA

Non utilizzare prodotti chimici, lana d'acciaio o detersivi abrasivi per pulire l'interno o l'esterno della brocca di vetro, poiché potrebbero graffiare la superficie.

- Per rimuovere i residui di tannino, la sostanza chimica con proprietà astringenti contenuta nel tè, rimuovere il filtro del tè, riempire d'acqua la brocca di vetro fino al segno MAX, quindi portare l'acqua a ebollizione e lasciarla raffreddare per un minuto. Aggiungere il contenuto della bustina di detergente Tea Maker Cleaner di Sage (disponibile sul sito Web di Sage) e lasciare riposare per 5 minuti. Svuotare la brocca, quindi riempirla nuovamente con acqua fresca e portare a ebollizione. Ripetere questo passaggio, quindi sciacquare accuratamente l'interno della brocca di vetro. Asciugare accuratamente con un panno morbido che non lascia pelucchi prima di utilizzare di nuovo.



### NOTA

Con l'uso regolare dell'elettrodomestico, l'accumulo di calcare può influire sulle prestazioni e sulla durata di the Tea Maker™ Compact. Ossido e fosfato di calcio sono tipi comuni di calcare che possono danneggiare the Tea Maker™ Compact di Sage. L'ossido di calcio è un minerale innocuo che si presenta come un sedimento color ruggine o bianco sulle superfici interne delle pareti e della base della brocca di vetro. Il fosfato di calcio non è visibile a occhio nudo, tuttavia può far apparire l'acqua torbida quando viene riscaldata. Per impedire che il calcare danneggi the Tea Maker™ Compact, assicurarsi di decalcificare regolarmente la brocca di vetro. Utilizzare l'agente decalcificante "the Descaler" di Sage (disponibile sul sito Web di Sage) e seguire le istruzioni.



### ATTENZIONE

Provoca irritazione cutanea. Lavare accuratamente le mani dopo l'uso. Indossare guanti/indumenti protettivi/Proteggere gli occhi/il viso.



### NOTA

Lasciare raffreddare completamente tutti i componenti di the Tea Maker™ Compact prima di smontare e pulire l'apparecchio.



## ATTENZIONE

Non immergere mai la base e il coperchio della brocca di vetro, la base di alimentazione, il cavo o la spina di alimentazione in acqua ed evitare che l'umidità entri in contatto con queste parti.

## PULIRE IL FILTRO DEL TÈ

- Lavare il filtro e il coperchio del filtro con acqua tiepida e sapone usando una spugna morbida, quindi sciacquare e asciugare a fondo.
- Per evitare la formazione di macchie sul filtro, è possibile utilizzare un detergente liquido non abrasivo o una soluzione spray neutra. Applicare il detergente sulla spugna, non direttamente sulla superficie del filtro, prima di procedere alla pulizia.
- Lasciare asciugare completamente tutte le superfici prima di utilizzare nuovamente.

## PULIRE LA BASE DI ALIMENTAZIONE

- Pulire la base di alimentazione con una spugna morbida e umida.
- Lasciare asciugare completamente tutte le superfici prima di inserire la spina in una presa di corrente.

## CONSERVAZIONE

- Assicurarsi che the Tea Maker™ Compact sia spenta, pulita e completamente asciutta prima di riporla.
- Assicurarsi che il filtro del tè sia montato correttamente.
- Assicurarsi che il coperchio della brocca sia fissato saldamente sulla brocca di vetro.
- Avvolgere il cavo di alimentazione attorno all'alloggiamento per il cavo sotto la base di alimentazione.
- Porre the Tea Maker™ Compact in posizione verticale sulla base di alimentazione. Non riporre nulla sopra l'apparecchio.



## Risoluzione dei problemi

<b>PROBLEMA</b>	<b>COME PROCEDERE</b>
<b>The Tea Maker™ Compact non si accende.</b>	<ul style="list-style-type: none"><li>• Verificare che la spina sia inserita correttamente nella presa di alimentazione.</li><li>• Inserire la spina di alimentazione in una presa di corrente indipendente.</li><li>• Inserire la spina di alimentazione in una presa di corrente diversa.</li><li>• Resettare il quadro elettrico, se necessario.</li><li>• Per maggiore sicurezza, the Tea Maker™ Compact è dotata di un dispositivo di sicurezza termica. In caso di surriscaldamento, the Tea Maker™ Compact si spegnerà automaticamente per evitare ulteriori danni.</li></ul>
<b>La base di alimentazione di the Tea Maker™ Compact non si illumina e non è possibile selezionare le funzioni.</b>	<ul style="list-style-type: none"><li>• Scollegare il cavo di alimentazione dalla presa di corrente, quindi reinserirlo. Rimuovere la brocca di vetro dalla base di alimentazione e riposizionarla. A questo punto, tutti i pulsanti si illumineranno e the Tea Maker™ Compact sarà pronta per l'utilizzo.</li></ul>
<b>The Tea Maker™ Compact non funziona.</b>	<ul style="list-style-type: none"><li>• Controllare che la brocca di vetro sia posizionata correttamente sulla base di alimentazione.</li></ul>
<b>Non riesco a selezionare una determinata funzione.</b>	<ul style="list-style-type: none"><li>• Alcune funzioni non possono essere selezionate o modificate durante il ciclo di riscaldamento o di infusione. Gli indicatori a LED intorno ai pulsanti indicano la disponibilità delle funzioni.</li></ul>
<b>Dopo aver fatto bollire l'acqua, intorno al sensore di temperatura compaiono delle bolle.</b>	<ul style="list-style-type: none"><li>• Questo fa parte del normale funzionamento di the Tea Maker™ Compact.</li></ul>
<b>Il mio tè ha un sapore troppo blando o troppo forte.</b>	<ul style="list-style-type: none"><li>• Assicurarsi che sia stata selezionata l'intensità corretta prima di procedere all'infusione.</li><li>• Seguire le istruzioni di pulizia fornite in questo libretto.</li></ul>
<b>Il filtro del tè non si muove.</b>	<ul style="list-style-type: none"><li>• Il filtro del tè non si muove durante il ciclo di riscaldamento.</li><li>• Il filtro del tè inizierà a muoversi solo una volta raggiunta la temperatura selezionata. Il filtro del tè rimarrà abbassato finché il tempo di infusione non sarà terminato.</li><li>• Scollegare il cavo di alimentazione dalla presa di corrente, attendere 10 secondi, quindi ricollegare l'elettrodomestico.</li></ul>



## Garanzia

### **GARANZIA LIMITATA DI 2 ANNI**

Sage Appliances offre una garanzia per l'utilizzo domestico di questo prodotto in specifiche aree geografiche, per 2 anni dalla data di acquisto. La garanzia copre eventuali malfunzionamenti causati da difetti di fabbricazione o dei materiali. Durante il periodo coperto dalla garanzia, Sage Appliances sarà tenuta a riparare, sostituire o rimborsare l'importo corrispondente ai prodotti difettosi (a sola discrezione di Sage Appliances).

Tutti i diritti di garanzia previsti dalla legislazione nazionale applicabile verranno rispettati e non possono essere annullati dalla presente garanzia. Per i termini e le condizioni complete della garanzia e per istruzioni su come inviare una richiesta di risarcimento, visitare il sito [www.sageappliances.com](http://www.sageappliances.com).



**Note**

# *the Tea Maker™ Compact*



ES GUÍA RÁPIDA

# Sage®



## Índice

- 2 Medidas de seguridad importantes
- 6 Componentes
- 8 Funciones
- 10 Cuidado y limpieza
- 12 Solución de problemas
- 13 Garantía

## **SAGE® RECOMIENDA SEGURIDAD ANTE TODO**

**En Sage® nos preocupa enormemente la seguridad. Para el diseño y la fabricación de nuestros productos de consumo tenemos en cuenta antes que nada la seguridad de nuestros clientes, como tú. También te rogamos que actúes cuidadosamente al usar cualquier aparato eléctrico y que tomes las precauciones siguientes.**

## **MEDIDAS DE SEGURIDAD IMPORTANTES**

### **LEE LAS INSTRUCCIONES EN SU TOTALIDAD ANTES DE USAR EL PRODUCTO Y GUÁRDALAS PARA FUTURAS REFERENCIAS**

- Hay una versión descargable de este documento disponible en [sageappliances.com](http://sageappliances.com).
- Antes de usar el producto por primera vez, asegúrate de que la tensión de la toma de corriente coincida con la que figura en la etiqueta en la base del aparato. Si tienes alguna duda, ponte en contacto con tu compañía eléctrica local.
- Retira y desecha de forma apropiada los materiales de embalaje antes del primer uso.
- Para evitar riesgos de asfixia de niños pequeños, desecha correctamente la cubierta protectora del enchufe.
- Este aparato ha sido diseñado específicamente para calentar y hervir agua potable y té de calidad. Este producto no debe utilizarse en ningún caso para calentar o hervir otros líquidos o productos alimenticios.
- Coloca el aparato sobre una superficie estable, resistente al calor, nivelada y seca. No lo pongas muy cerca del borde ni cerca de una fuente de calor (por ejemplo, una placa de cocina eléctrica, un quemador de gas o un horno).
- No coloques el aparato en o cerca de un quemador de gas caliente, un elemento eléctrico o



- un lugar donde pueda entrar en contacto con un horno caliente.
- Coloca el aparato a una distancia mínima de 20 cm de las paredes o de materiales sensibles al calor/vapor y deja un espacio adecuado por encima y por todos los lados para que circule el aire.
  - No operes el hervidor en el escurridor del fregadero.
  - Asegúrate siempre de que el aparato esté bien montado antes de conectarlo a una toma de corriente y ponerlo en funcionamiento. Sigue las instrucciones indicadas en esta publicación.
  - Se recomienda la instalación de un interruptor diferencial para ofrecer seguridad adicional al usar todos los aparatos eléctricos. Se recomienda usar interruptores de seguridad con una corriente de funcionamiento nominal de no más de 30 mA. Solicita asesoramiento profesional a un electricista.
  - La jarra de vidrio solo debe utilizarse con la base de alimentación suministrada. No la uses sobre una hornilla.
  - Este aparato no está diseñado para utilizarse junto con un temporizador externo ni con ningún otro sistema de control a distancia.
  - No toques las superficies calientes. Utiliza el asa para levantar y transportar la jarra de vidrio.
  - Fija firmemente la tapa de la jarra a la jarra de vidrio antes de usar el aparato.
  - No coloques nada encima de la tapa.
  - No abras la tapa de la jarra mientras está funcionando, ya que puedes quemarte.
  - Se debe tener mucho cuidado al manipular la jarra de vidrio cuando contiene líquidos calientes.
  - Ten cuidado cuando viertas agua de la jarra de vidrio, ya que podrías quemarte con el agua hirviendo y el vapor. No viertas el agua demasiado rápido.
  - Para evitar quemaduras, nunca llenes la jarra de vidrio más allá de las marcas "WATER MAX" (al calentar agua) o "TEA MAX" (al preparar té).
  - No hagas funcionar el aparato sin agua. Llena siempre la jarra de vidrio hasta la marca "MIN" como mínimo. En caso de operarlo sin agua, la protección contra el hervido en seco desconectará la alimentación automáticamente. Deja que el aparato se enfríe antes de volver a llenarlo.



#### ADVERTENCIA

- No retires la jarra de vidrio de la base de alimentación durante el calentamiento o cuando el filtro de té esté en funcionamiento. Asegúrate de que el aparato haya completado el ciclo de calentamiento de agua o de preparación de té antes de retirar la jarra de vidrio de la base de alimentación.

- El uso de accesorios no recomendados por Sage® puede provocar incendios, descargas eléctricas o lesiones a personas.
- Antes de limpiar, mover o guardar el aparato, asegúrate siempre de que esté APAGADO y desenchufado de la toma de corriente, y que se haya enfriado tras el uso.
- Cuando el aparato no está en uso o cuando se deja desatendido, desconecta el cable de alimentación de la toma de corriente de la pared.
- Deja que el aparato se enfríe antes de iniciar un nuevo ciclo de preparación de té.
- Mantén limpia la jarra de vidrio. Sigue las instrucciones de limpieza indicadas en esta publicación.
- No utilices productos abrasivos ni limpiadores cáusticos cuando limpies este aparato.
- No permitas que los niños jueguen con este aparato.
- La jarra de vidrio ha sido especialmente diseñada para hacerla más fuerte, duradera y segura que el vidrio común, sin embargo, no es irrompible. Si se cae o se golpea con fuerza, puede romperse o debilitarse, y más tarde podría quebrarse en muchos pedazos pequeños sin causa aparente.
- Cualquier tarea de mantenimiento que no sea de limpieza debe realizarla un centro de servicio autorizado de Sage®.
- El aparato puede ser utilizado por niños mayores de 8 años y personas con discapacidades físicas o mentales, o sin experiencia ni conocimientos de uso, siempre y cuando reciban supervisión o instrucciones para el uso seguro del dispositivo y comprendan los riesgos implicados.
- No permitas que los niños jueguen con este aparato.
- Cuando no utilices el aparato, debe estar APAGADO y desenchufado de la toma de corriente.



#### ADVERTENCIA

- No laves el exterior de la jarra con agua corriente.



# MEDIDAS DE SEGURIDAD IMPORTANTES PARA TODOS LOS APARATOS ELÉCTRICOS

- Desenrolla completamente el cable de alimentación antes de usar el aparato.
- Este aparato es solo para uso doméstico. No se debe utilizar para fines distintos de su uso previsto. No se debe utilizar en vehículos o embarcaciones en movimiento. No se debe utilizar al aire libre. El uso inapropiado podría causar lesiones.
- Evita que el cable de alimentación sobresalga del borde de una encimera o una mesa, entre en contacto con superficies calientes o se enrede.
- Es necesaria una supervisión minuciosa cuando cualquier aparato se usa cerca de niños o cuando lo utilizan ellos mismos.
- La limpieza del aparato no debe ser realizada por niños menores de 8 años, ni por niños mayores sin la supervisión de un adulto.
- El aparato y el cable deben mantenerse fuera del alcance de los niños menores de 8 años.

- No utilices el aparato si el cable de alimentación, el enchufe o el mismo aparato se dañan de alguna manera. Ante cualquier daño y si se requiere algún tipo de mantenimiento (que no sea la limpieza), ponte en contacto con el Servicio de atención al cliente de Sage o visita [sageappliances.com](http://sageappliances.com)



## ADVERTENCIA

- No utilices el aparato sobre una superficie inclinada.
- No muevas el aparato mientras esté encendido.



El símbolo mostrado aquí indica que este aparato no debe desecharse con la basura doméstica normal.

Debe llevarse a un centro de recogida de residuos designado por las autoridades locales para ese fin, o a una empresa que preste ese servicio. Para obtener más información, ponte en contacto con los servicios municipales.

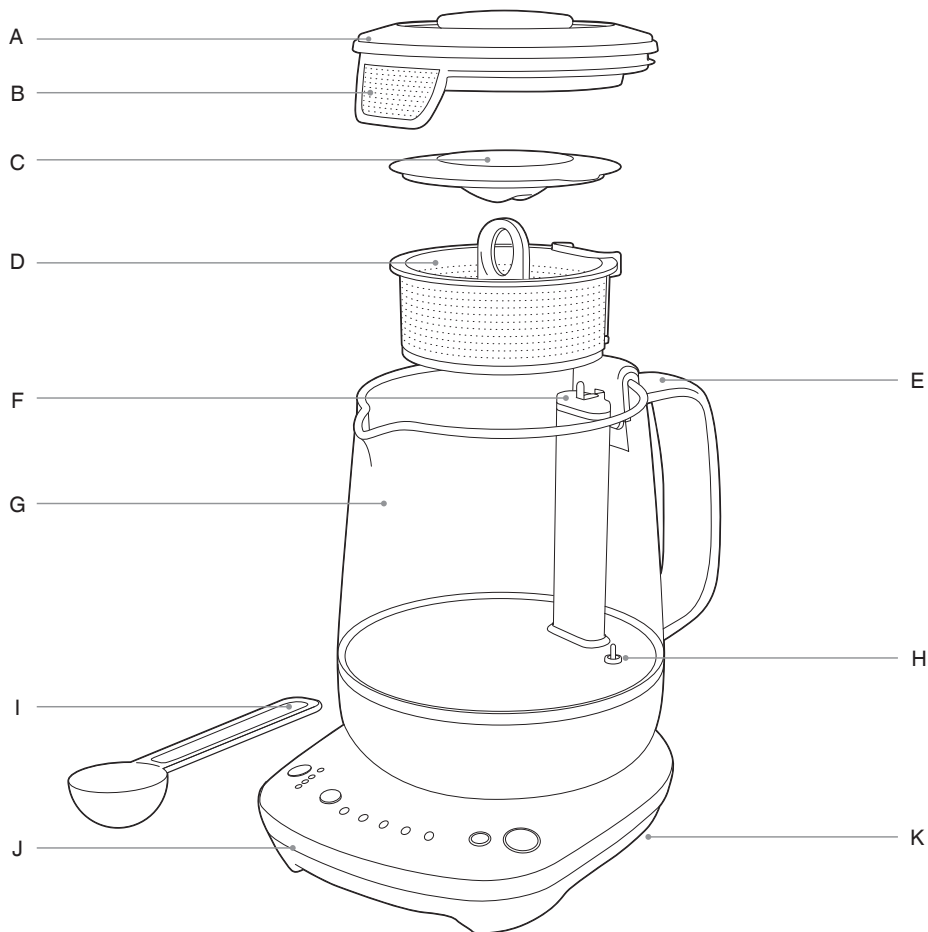


Para evitar descargas eléctricas, no sumerjas en agua la base de la jarra de vidrio, la base de alimentación, el cable de alimentación o el enchufe, ni permitas que la humedad entre en contacto con estas piezas. Evita derramar agua sobre el conector de la base de alimentación. No sumerjas la jarra de vidrio ni la base de alimentación para su limpieza.

## GUARDA ESTAS INSTRUCCIONES



## Componentes



A. Tapa de la jarra

B. Filtro antisarro

C. Tapa para filtro de té

D. Filtro de té

E. Asa

F. Poste de la jarra

G. Jarra de vidrio

1000 mL de agua máx. 800 mL de té máx.

H. Sensor de temperatura sumergido

I. Cuchara de té

J. Base de alimentación

K. Almacenamiento del cable

Oculto debajo de la base de alimentación.

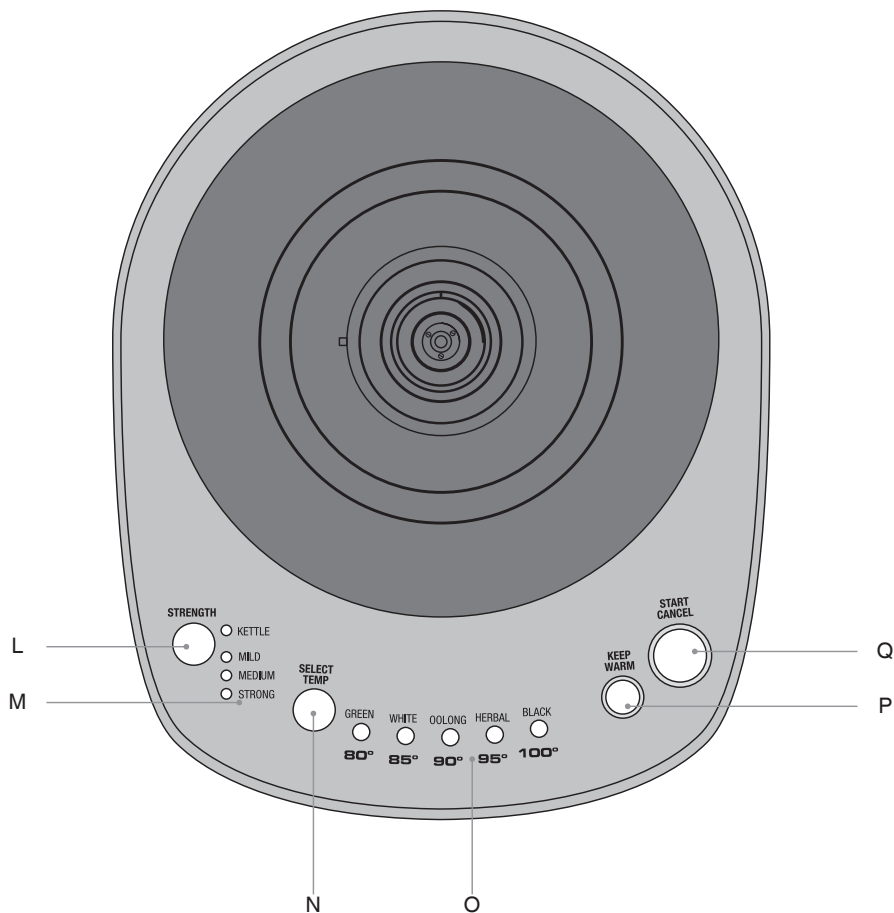


### Información de clasificación

220 - 240V ~ 50 - 60Hz 1380W - 1600W



## Componentes



- L. Botón STRENGTH (concentración)**  
Ajustes preestablecidos de tiempos de preparación recomendados para infusiones suaves, medianas y fuertes de cada tipo de té.
- M. Indicador de concentración de té**
- N. Botón SELECT/TEMP (seleccionar temperatura)**  
Seleccione el tipo de té y la temperatura de la infusión recomendada para los té verdes, blancos, oolong, de hierbas y negros.

- O. Indicador de temperatura y tipo de té**
- P. Botón KEEP WARM (mantenerse caliente)**  
Permite que el té o el agua permanezcan calientes durante 60 minutos.
- Q. Botón START/CANCEL (iniciar/cancelar)**  
Inicia y detiene el ciclo de calentamiento.



## Funciones

### ANTES DEL PRIMER USO

Para eliminar el polvo o residuos protectores del proceso de fabricación, se recomienda hervir agua una vez y luego desecharla.

1. Retira y desecha de forma segura los material de embalaje, etiquetas promocionales y cinta adhesiva del Tea Maker™ Compact.
2. Retira la tapa de la jarra y luego extrae el filtro de té del poste magnético situado dentro de la jarra de vidrio. Lava la tapa de la jarra, el filtro de té, la tapa del filtro de té y la cuchara de té en agua tibia jabonosa con una esponja suave. Después asegúrate de enjuagar y secar todo completamente.



### ADVERTENCIA

No sumerjas en agua la base de la jarra de vidrio, la base de alimentación, el cable de alimentación o el enchufe, ni permitas que la humedad entre en contacto con estas piezas.

3. Coloca la base de alimentación sobre una superficie plana y seca.
4. Extrae el filtro de té, llena la jarra de vidrio hasta la marca "WATER MAX" (1000 mL) y colócala sobre la base de alimentación. Fija firmemente la tapa de la jarra en la jarra de vidrio.



### ADVERTENCIA

Nunca llenes la jarra de vidrio con agua fría. Deja que el Tea Maker™ Compact se enfríe antes de volver a llenarlo.



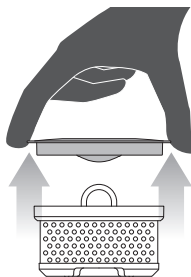
### ADVERTENCIA

Llenar la jarra más allá de la línea "MAX" puede resultar en quemaduras o lesiones serias como resultado del desbordamiento del agua caliente o hirviendo. Llenar la jarra por debajo de la línea "MIN" hará que el Tea Maker™ Compact se apague antes de que el agua haya hervido o alcanzado la temperatura seleccionada.

5. Desenrolla completamente el cable y conecta el enchufe a una toma de corriente con conexión a tierra.
6. Presiona SELECT/TEMP (seleccionar temperatura) y selecciona "BLACK" (negro) / 100°, luego selecciona START/CANCEL (iniciar/cancelar). La luz cambiará de roja a blanca, indicando que el ciclo de calentamiento está en curso.
7. Cuando el agua alcance la temperatura seleccionada, la tetera emitirá un solo pitido.
8. Desecha el agua. El Tea Maker™ Compact ya está listo para su uso.

### PREPARACIÓN DE TÉ

1. Llena la jarra de vidrio con la cantidad de agua deseada. Asegúrate de llenar la jarra por encima de la marca "MIN" y hasta la marca "MAX" como máximo. Ten en cuenta que la marca "MAX" es de 800 mL al preparar té.
2. Coloca el filtro de té sobre una superficie plana y seca. Retira la tapa del filtro levantándola por los lados.



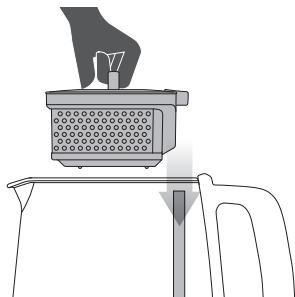
3. Usa la cuchara de té suministrada para llenar el filtro de té con hojas de té. Como guía general, utiliza 1 cucharada de té por cada taza (250 mL de agua). Sin embargo, esto puede variar dependiendo de las instrucciones del té y de tus preferencias personales.

### Proporción de cucharas de té y agua

500 mL	2 cucharadas
750 mL	3 cucharadas

4. Vuelve a colocar la tapa del filtro y asegúrate de que esté firmemente cerrada.

- Coloca el filtro de té en el poste situado dentro de la jarra de vidrio.



- Vuelve a fijar firmemente la tapa de la jarra en la jarra de vidrio, asegurándote de que el filtro esté alineado con la boquilla de la jarra.

## SELECCIONAR EL TIPO DE TÉ

- El tipo de té determina la temperatura de la infusión. El Tea Maker™ Compact tiene 5 tipos de té preestablecidos que se recomiendan para la preparación óptima de té verde, blanco, oolong, de hierbas y negro.

TIPOS DE TÉ		Verde	Blanco	Oolong	De hierbas	Negro
Temperaturas de infusión preestablecidas		80 °C	85 °C	90 °C	95 °C	100 °C
Concentración (mins)	Suave	2	3	3	4	3
	Media	3	4	4	5	4
	Fuerte	4	5	5	6	5



### NOTA

Este producto no está calibrado para uso comercial o científico. Las temperaturas pueden variar  $\pm 3^{\circ}\text{C}$ , lo cual está dentro del rango aceptable para una preparación óptima de cada variedad de té.

- Pulsa SELECT/TEMP (seleccionar temperatura) hasta que se ilumine la temperatura del té deseada. La concentración de té deseada fija el tiempo de preparación. El tiempo de preparación adecuado depende del tipo de té y de tu preferencia personal de concentración. El Tea Maker™ Compact te permite elegir entre té suave, medio y fuerte.

- Pulsa STRENGTH (concentración) para seleccionar la intensidad y el tiempo de preparación deseados. Consulta la tabla "Tipos de té" más arriba para conocer los tiempos de preparación. Si seleccionas la función de hervidor, el agua se calentará a la temperatura deseada pero no se activará el filtro de té.
- Pulsa START/CANCEL (iniciar/cancelar) para iniciar el ciclo.
- Una vez que se alcanza la temperatura de infusión seleccionada, el filtro de té se sumerge automáticamente en el agua caliente. Permanecerá en esta posición hasta que haya transcurrido el tiempo de preparación.
- Al final del ciclo de preparación de té, el filtro de té se elevará automáticamente hasta la parte superior de la jarra de vidrio para evitar el exceso de concentración de la infusión. La alerta de té sonará 3 veces para indicar que tu té está listo.



## ADVERTENCIA

El filtro de té está caliente después de preparar el té. Asegúrate de que el asa del filtro de té se haya enfriado antes de manipularlo.

## MANTENERSE CALIENTE

Si se selecciona antes de iniciar el ciclo, la función "mantenerse caliente" estará activa hasta 60 minutos después de haber preparado el té. Cuando se retira la jarra de vidrio de la base de alimentación, la función "mantenerse caliente" se cancelará.

Para reactivar esta función durante 60 minutos más, coloca la jarra de vidrio con el té restante en la base de alimentación y presiona KEEP WARM (mantenerse caliente). La luz se iluminará cuando se seleccione.

## HERVIR AGUA

Para hervir agua, retira el filtro de té y llena la jarra de vidrio con agua. Vuelve a fijar la tapa de la jarra y coloca la jarra de vidrio en la base de alimentación. Selecciona la temperatura deseada presionando SELECT/TEMP (seleccionar temperatura) y luego presiona STRENGTH (concentración) para seleccionar "KETTLE" (hervidor).



## Cuidado y limpieza

### LIMPIEZA DE LA JARRA DE VIDRIO

- Después de cada uso, vacía la jarra de vidrio. No dejes que el té preparado permanezca en la jarra toda la noche. Deja que la jarra de vidrio se enfríe completamente antes de limpiarla.
- Limpia el interior de la jarra de vidrio con una esponja suave y húmeda o enjuágala con agua tibia.
- Limpia el exterior de la jarra de vidrio con un paño suave y húmedo para remover la suciedad.



### ADVERTENCIA

Nunca sumerjas o laves el exterior de la jarra de vidrio con agua corriente.



### NOTA

No utilices productos químicos, estropajos de acero o limpiadores abrasivos para limpiar el interior o el exterior de la jarra de vidrio, ya que pueden rayar la superficie.

- Para eliminar la acumulación de tanino, el componente químico astringente del té, retira el filtro de té, llena la jarra de vidrio con agua hasta la marca "MAX", lleva el agua a ebullición y deja que se enfríe durante un minuto. Agrega el contenido del limpiador Sage Tea Maker Cleaner (disponible en la página web de Sage) y déjalo reposar durante 5 minutos. Vacía el Tea Maker™, rellénalo con agua fresca y hiérvela. Repite este paso de nuevo y enjuaga bien el interior de la jarra de vidrio. Sécalo con un paño suave sin pelusas antes de usarlo.



### NOTA

Con el paso del tiempo y el uso regular, la acumulación de sarro puede afectar el rendimiento y la vida útil del Tea Maker™ Compact. La cal y el fosfato son formas comunes de sarro que pueden dañar tu Sage Tea Maker™ Compact. La cal, un mineral inofensivo, tiene un aspecto blanco u oxidado que se acumula en las paredes internas y en el interior de la base de la jarra de vidrio. La acumulación de fosfato no se ve a simple vista. Sin embargo, puede hacer que el agua se vea turbia cuando se calienta. Para evitar que el sarro dañe tu tea Maker™ Compact, asegúrate de descalcificar la jarra de vidrio con regularidad. Usa el Descalcificador de Sage (disponible en la página web de Sage) y sigue las instrucciones.



### ADVERTENCIA

Provoca irritación de la piel. Lávate las manos cuidadosamente después de utilizar el producto. Utiliza ropa y protección adecuadas para las manos, el cuerpo, los ojos y la cara.



### NOTA

Deja que todas las partes del Tea Maker™ Compact se enfríen completamente antes de desarmarlo y limpiarlo.



### ADVERTENCIA

No sumerjas en agua la base de la jarra de vidrio, la tapa de la jarra, la base de alimentación, el cable de alimentación o el enchufe, ni permitas que la humedad entre en contacto con estas piezas.



## LIMPIEZA DEL FILTRO DE TÉ

- Lava el filtro de té y su tapa con agua tibia, jabón y una esponja suave. Después, enjuágalos y sécalos completamente.
- Se pueden usar soluciones suaves en aerosol o limpiadores líquidos no abrasivos para evitar la acumulación de manchas en el filtro. Antes de la limpieza, aplica el limpiador en la esponja y no directamente sobre la superficie del filtro.
- Deja que todas las superficies se sequen completamente antes de usarlas de nuevo.

## LIMPIEZA DE LA BASE DE ALIMENTACIÓN

- Limpia la base de alimentación con una esponja suave y húmeda.
- Deja que todas las superficies se sequen completamente antes de insertar el enchufe en la toma de corriente.

## ALMACENAMIENTO

- Asegúrate de que el Tea Maker™ Compact esté apagado, limpio y completamente seco antes de guardarlo.
- Asegúrate de que el filtro de té esté correctamente montado.
- Asegúrate de que la tapa de la jarra esté bien colocada.
- Enrolla el cable de alimentación alrededor del compartimento para el mismo, debajo de la base de alimentación.
- Coloca el Tea Maker™ Compact en posición vertical sobre la base de alimentación. No guardes nada encima.



## Solución de problemas

PROBLEMA	QUÉ HACER
<b>The Tea Maker™ Compact no se enciende</b>	<ul style="list-style-type: none"><li>• Comprueba que el enchufe esté bien insertado en la toma de corriente.</li><li>• Inserta el enchufe en una toma de corriente independiente.</li><li>• Inserta el enchufe en una toma de corriente diferente.</li><li>• Reajusta el interruptor automático si es necesario.</li><li>• Para mayor seguridad, el Tea Maker™ Compact está equipado con un sensor térmico. En caso de sobrecalentamiento severo, el Tea Maker™ Compact se apagará automáticamente para evitar daños mayores.</li></ul>
<b>La base de alimentación del Tea Maker™ Compact no se ilumina y no se pueden seleccionar las funciones</b>	<ul style="list-style-type: none"><li>• Desenchufa el cable de la toma de alimentación de la toma de corriente y vuelve a enchufarlo. Retira y vuelve a colocar la jarra de vidrio en la base de alimentación. Todos los botones deberían iluminarse para indicar que el Tea Maker™ Compact está listo para su uso.</li></ul>
<b>The Tea Maker™ Compact no funciona</b>	<ul style="list-style-type: none"><li>• Comprueba que la jarra de vidrio está bien colocada en la base de alimentación.</li></ul>
<b>No puedo seleccionar una función determinada</b>	<ul style="list-style-type: none"><li>• Algunas características no pueden seleccionarse ni modificarse durante el ciclo de calentamiento o de preparación de té. Las luces LED que rodean a los botones indicarán la disponibilidad de las funciones.</li></ul>
<b>Después de hervir el agua, aparecen burbujas alrededor del sensor de temperatura</b>	<ul style="list-style-type: none"><li>• Esto forma parte del funcionamiento normal del Tea Maker™ Compact.</li></ul>
<b>Mi té tiene un sabor demasiado suave o demasiado fuerte</b>	<ul style="list-style-type: none"><li>• Asegúrate de seleccionar la concentración correcta antes de preparar el té.</li><li>• Sigue las instrucciones de limpieza indicadas en esta publicación.</li></ul>
<b>El filtro de té no se mueve</b>	<ul style="list-style-type: none"><li>• El filtro de té no se moverá durante el ciclo de calentamiento.</li><li>• El filtro de té solo comenzará a moverse cuando se haya alcanzado la temperatura seleccionada. El filtro de té permanecerá sumergido hasta que haya pasado el tiempo de preparación.</li><li>• Retira el enchufe de la toma de corriente, espera 10 segundos y vuelve a insertar el enchufe.</li></ul>



## Garantía

### **GARANTÍA LIMITADA DE 2 AÑOS**

La garantía de Sage Appliances cubre este producto para uso doméstico en territorios específicos durante 2 años a partir de la fecha de compra contra fallos causados por mano de obra y materiales defectuosos. Durante el plazo de la garantía, Sage Appliances reparará o sustituirá productos defectuosos (a criterio de Sage Appliances).

Todos los derechos de garantía en virtud de la legislación nacional vigente serán respetados y no se verán afectados por nuestra garantía. Para consultar los términos y condiciones completos de la garantía, así como instrucciones sobre cómo hacer una reclamación, visite [www.sageappliances.com](http://www.sageappliances.com)



## Notas

# *the Tea Maker™ Compact*



PT MANUAL RÁPIDO

# Sage®



## Índice

- 2 A Sage® recomenda a segurança como máxima prioridade
- 7 Componentes
- 9 Funções
- 12 Cuidados e limpeza
- 14 Resolução de problemas
- 15 Garantia

# A SAGE® RECOMENDA A SEGURANÇA COMO MÁXIMA PRIORIDADE

**Na Sage®, temos a máxima preocupação com a segurança. Concebemos e produzimos produtos para o consumidor principalmente com a sua segurança, o nosso prezado cliente, em mente. Além disso, pedimos que tenha cuidado quando utilizar qualquer aparelho elétrico e que cumpra as precauções seguintes.**

## CUIDADOS IMPORTANTES

### LEIA TODAS AS INSTRUÇÕES ANTES DE UTILIZAR E GUARDE-AS PARA CONSULTA FUTURA

- Está disponível uma versão transferível deste documento em [sageappliances.com](http://sageappliances.com)
- Antes de utilizar pela primeira vez, certifique-se de que a sua fonte de alimentação corresponde à indicada na etiqueta de classificação na parte inferior do aparelho. Contacte o seu fornecedor de eletricidade se tiver quaisquer dúvidas.
- Remova e elimine todos os materiais da embalagem antes da primeira utilização.
- Para eliminar o risco de asfixia para as crianças, elimine de forma segura a cobertura de proteção instalada na ficha de alimentação.
- Este aparelho foi concebido especificamente apenas para aquecer e ferver água potável e chá. Em nenhuma circunstância deve utilizar este produto para aquecer ou ferver outros líquidos ou alimentos.
- Coloque o aparelho numa superfície plana, estável, resistente ao calor e seca, afastado da extremidade e não

- utilize próximo de uma fonte de calor, como uma placa térmica, forno ou bico de gás.
- Não coloque o aparelho em ou próximo de um bico de gás ou elétrico ou onde possa tocar num forno quente.
  - Posicione o aparelho a pelo menos 20 cm das paredes ou materiais sensíveis ao calor/vapor e certifique-se de que há espaço livre adequado por cima e em todos os lados para circulação de ar.
  - Não utilize a chaleira sobre uma pia de cozinha.
  - Antes de utilizar, certifique-se sempre de que o aparelho foi montado corretamente antes de ligar a uma tomada elétrica e ligar o aparelho. Cumpra as instruções fornecidas neste livro.
  - Recomendamos a instalação de um comutador de segurança da corrente residual para fornecer segurança adicional ao utilizar todos os aparelhos elétricos. Recomendamos o uso de comutadores de segurança com uma corrente operacional nominal não superior a 30 mA. Consulte um electricista para obter aconselhamento profissional.
  - A jarra de vidro apenas deve ser utilizada com a base elétrica fornecida. Não utilize sobre uma bancada.
  - O aparelho não se destina a ser operado através de um temporizador externo ou sistema de controlo remoto separado.
  - Não toque nas superfícies quentes. Utilize a pega para levantar e transportar a jarra de vidro.
  - Fixe a tampa da jarra na jarra de vidro antes de operar.
  - Não coloque nenhum objeto em cima da tampa.
  - Não abra a tampa da jarra durante o funcionamento porque pode queimar-se.
  - Tenha o máximo cuidado ao mover a jarra de vidro com líquidos quentes.
  - Tenha cuidado ao servir água com a jarra de vidro porque a água quente e o vapor podem queimar. Não verta a água demasiado rápido.
  - Para evitar queimaduras, nunca encha a jarra de vidro acima da marca "MAX" (Máximo) quando aquecer água ou acima da marca "TEA MAX" (Máximo de chá) quando preparar chá.
  - Não utilize o aparelho sem água. Encha sempre a jarra de vidro até à marca "MIN" (Mínimo). Se for colocada em funcionamento sem água, a proteção de funcionamento em seco desliga a alimentação automaticamente. Deve permitir que o aparelho arrefeça antes de encher novamente.



## AVISO

- Não retire a jarra de vidro da base elétrica durante o aquecimento ou quando o cesto está em funcionamento. Certifique-se de que o aparelho concluiu o ciclo de aquecimento de água ou ciclo de infusão de chá antes de retirar a jarra de vidro da base elétrica.
- O uso de acessórios não recomendados pela Sage® pode provocar incêndios, choque elétrico ou lesões.
- Certifique-se sempre de que o aparelho está desligado (OFF), e que a ficha foi retirada da tomada elétrica e arrefeceu totalmente antes de o limpar, tentar mover ou armazenar.
- Quando o aparelho não estiver em utilização ou se não tiver supervisão, desligue o cabo de alimentação da tomada elétrica.
- Deve permitir que o aparelho arrefeça entre os ciclos de infusão.
- Mantenha a jarra de vidro limpa. Cumpra as instruções de limpeza fornecidas neste manual.
- Não use produtos de limpeza abrasivos ou cáusticos ao limpar este aparelho.
- As crianças não devem brincar com o aparelho.
- A jarra de vidro tem um tratamento especial que a torna mais resistente, durável e segura do que vidro normal, porém não é inquebrável. Se cair ou for golpeada com muita força, pode partir ou ficar enfraquecida, e pode posteriormente partir-se em inúmeros pequenos pedaços sem causa aparente.
- Qualquer tarefa de manutenção que não a de limpeza deve ser realizada por um centro de assistência autorizado pela Sage®.
- O aparelho pode ser utilizado por crianças com mais de 8 anos de idade e pessoas com capacidades físicas ou mentais reduzidas ou com falta de experiência e conhecimento, mas apenas se tiverem recebido supervisão ou instruções relativas ao uso seguro do aparelho e compreenderem os perigos envolvidos.
- As crianças não devem brincar com o aparelho.
- Desligue sempre o aparelho (interruptor na posição OFF), desligue na tomada elétrica e retire a ficha da tomada elétrica quando não estiver em utilização.



 **AVISO**

- Não lave o exterior da jarra de vidro em água corrente.



## DIRETRIZES DE SEGURANÇA IMPORTANTES PARA TODOS OS APARELHOS ELÉTRICOS

- Desenrole completamente o cabo de alimentação antes de utilizar.
- Este aparelho destina-se apenas a uso doméstico. Não utilize o aparelho para outra função diferente da utilização a que se destina. Não utilize em veículos em movimento ou barcos. Não utilize no exterior. A utilização incorreta pode causar ferimentos.

- Não deixe o cabo de alimentação pendurado sobre a extremidade de uma mesa ou bancada, em contacto com superfícies quentes nem permita que o cabo se enrosque.
- É necessária uma supervisão atenta quando qualquer aparelho é utilizado por crianças ou próximo de elas.
- As tarefas de limpeza do aparelho não devem ser executadas por crianças exceto caso tenham mais de 8 anos de idade e tenham supervisão.
- O aparelho e o cabo devem ser mantidos fora do alcance das crianças com idade inferior a 8 anos.
- Não use o aparelho se o cabo de alimentação, a ficha ou o próprio aparelho estiverem danificados de qualquer maneira. Contacte o serviço de atendimento ao cliente da Sage ou aceda a [sageappliances.com](http://sageappliances.com) se o aparelho estiver danificado ou se for necessária qualquer tarefa de manutenção que não a de limpeza

 **AVISO**

- Não utilize o aparelho numa superfície inclinada.
- Não mova o aparelho quando estiver ligado.



O símbolo apresentado indica que este aparelho não deve ser eliminado juntamente com os resíduos domésticos normais. Deve ser encaminhado para um centro de recolha de resíduos da autoridade local designado para este fim ou um revendedor que forneça este serviço. Contacte a Câmara Municipal local para obter mais informações.

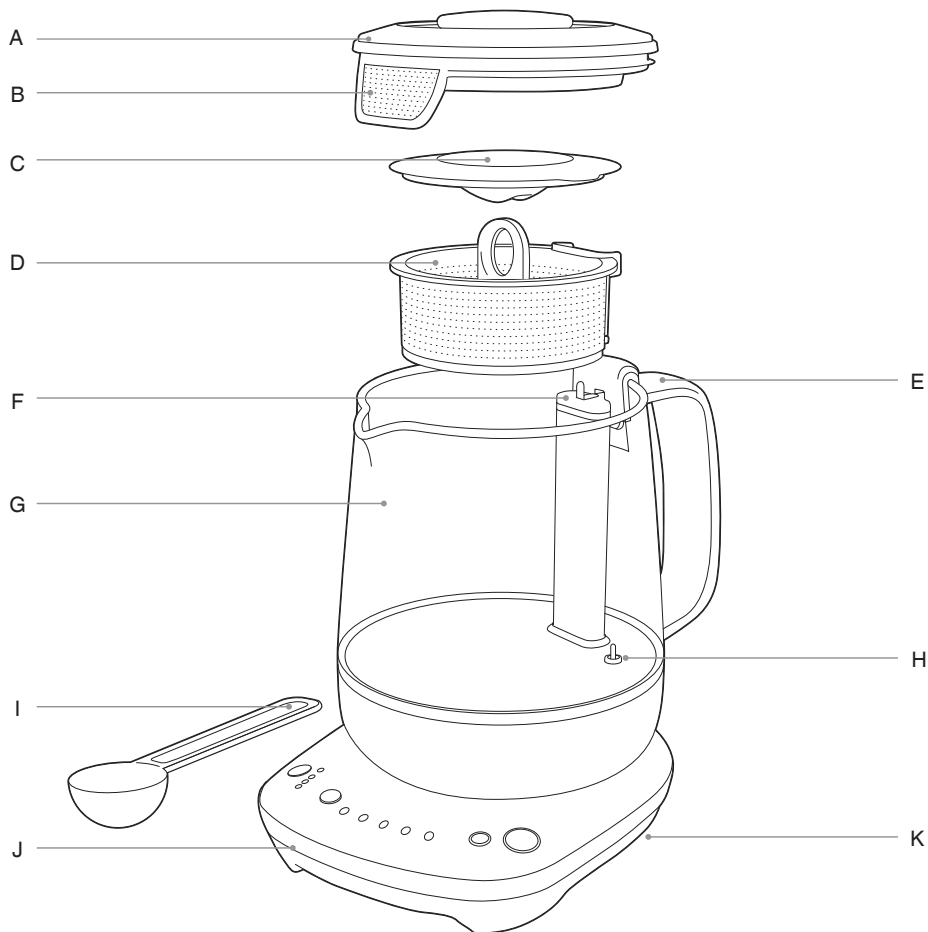


Para evitar choques elétricos, não submerja a base da jarra de vidro, a base elétrica, cabo de alimentação ou ficha em água ou permita que a humidade entre em contacto com estas partes. Evite derramar água no conector da base elétrica. Não submerja a jarra de vidro ou a base elétrica para limpar.

# **GUARDE ESTAS INSTRUÇÕES**



## Componentes



A. Tampa da jarra

B. Filtro de calcário

C. Tampa do cesto de chá

D. Cesto de chá

E. Pega

F. Haste da jarra

G. Jarra de vidro

Máx. de 1000 ml de água. Máx. de 800 ml de chá.

H. Sensor de temperatura submerso

I. Colher medidora do chá

J. Base elétrica

K. Armazenamento do cabo  
Oculto na base elétrica.

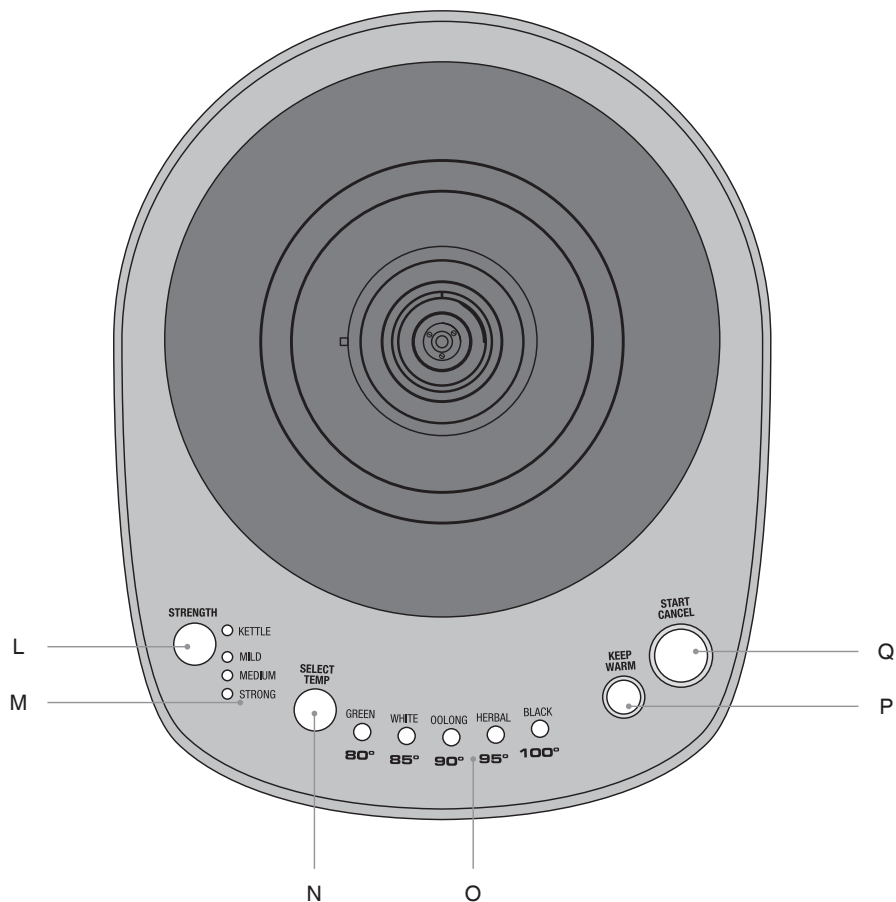


**Informação de classificação**

220-240 V ~50-60 Hz 1380-1600 W



## Componentes



**L. Botão STRENGTH (Intensidade)**  
Tempos de infusão predefinidos recomendados para infusões suaves, médias e fortes para cada tipo de chá.

**M. Indicador da intensidade do chá**

**N. Botão SELECT/TEMP**  
(Selecionar/Temperatura)  
Selecione o tipo de chá/temperatura de infusão recomendado para chá verde, chá branco, chá Oolong, chá de ervas ou chá preto.

**O. Indicador de temperatura/tipo de chá**

**P. Botão KEEP WARM (Manter Quente)**  
Mantém quente o chá preparado ou água aquecida durante até 60 minutos.

**Q. Botão START/CANCEL (Iniciar/Cancelar)**  
Inicia e para o ciclo de aquecimento.



## Funções

### ANTES DA PRIMEIRA UTILIZAÇÃO

Para remover pó ou resíduos da proteção durante o processo de fabrico, recomenda-se que efetue um ciclo de fervura e deite fora a água.

1. Remova e elimine em segurança todos os materiais da embalagem, etiquetas promocionais e fita adesiva da chaleira the Tea Maker™ Compact.
2. Retire a tampa da jarra, retire o cesto de chá do suporte magnético da jarra de vidro. Lave a tampa da jarra, o cesto de chá, a tampa do cesto de chá e a colher medidora com uma esponja macia com água morna com sabão, enxague e seque devidamente.



### AVISO

Nunca submerja a base da jarra de vidro, a base elétrica, o cabo de alimentação ou a ficha em água nem permita que a humidade entre em contacto com estas peças.

3. Coloque a base elétrica numa superfície plana e seca.
4. Sem o cesto de chá instalado, encha a jarra de vidro até à marca MAX (Máximo) (1000 ml) e coloque-a na base elétrica. Instale corretamente a tampa na jarra de vidro.



### AVISO

Nunca encha a jarra de vidro com água gelada. Deve permitir que a Tea Maker™ Compact arrefeça antes de encher novamente.



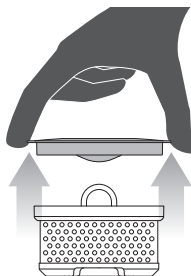
### AVISO

Encher a jarra acima da marca MAX (Máximo) pode provocar queimaduras graves ou lesões porque a água quente ou a ferver pode transbordar. Encher a jarra abaixo da linha MIN (Mínimo) na The Tea Maker™ Compact pode provocar que se desligue antes de ferver a água ou atingir a temperatura selecionada.

5. Desenrole completamente o cabo de alimentação e insira o cabo de alimentação numa tomada com ligação à terra.
6. Use o botão SELECT/TEMP (Selecionar/Temperatura) para selecionar BLACK/100° (Preto, 100°) e selecione o botão START/CANCEL (Iniciar/Cancelar). A luz muda de vermelho para branco, indicando que o ciclo de aquecimento está em curso.
7. Quando a água atingir a temperatura selecionada, a chaleira emite um sinal sonoro.
8. Elimine a água usada. A Tea Maker Compact está agora pronta para usar.

### INFUSÃO DE CHÁ

1. Encha a jarra de vidro com a quantidade de água pretendida. Certifique-se de que enche sobre a marca MIN (Mínimo) e até ou abaixo da marca MAX (Máximo). Tenha em atenção que a marca MAX (Máximo) para infusões de chá é de 800 ml.
2. Coloque o cesto de chá numa superfície plana e seca. Retire a tampa do cesto levantando-a pelos lados.

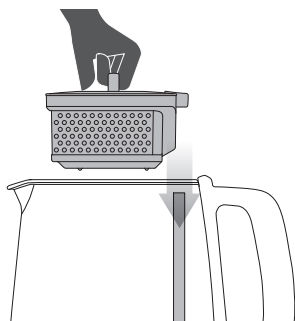


- Utilize a colher medidora de chá para encher o cesto de chá com folhas de chá. Como regra geral, utilize 1 colher de chá de folhas de chá por chávena/250 ml de água, no entanto, a quantidade depende das instruções na embalagem do chá e da sua preferência pessoal.

### Proporção de colheres de água para colheres de chá

500 ml	2 colheres
750 ml	3 colheres

- Coloque a tampa do cesto e certifique-se de que está corretamente instalada.
- Fixe o cesto de chá na haste da jarra no interior da jarra de vidro.



- Instale a tampa da jarra corretamente, certificando-se de que o filtro está alinhado com o bocal da jarra.

## SELECIONAR O TIPO DE CHÁ

- O tipo de chá determina a temperatura de infusão. A Tea Maker™ Compact tem 5 predefinições de tipos de chá recomendadas para a infusão perfeita de chá verde, chá branco, chá Oolong, chá de ervas ou chá preto.

TIPO DE CHÁ	Verde	Branco	Oolong	Ervas	Preto	
<b>Temp de infusão predef</b>	80 °C	85 °C	90 °C	95 °C	100 °C	
<b>Intensidade (min.)</b>	<b>Suave</b>	2	3	3	4	3
	<b>Média</b>	3	4	4	5	4
	<b>Forte</b>	4	5	5	6	5



### NOTA

Este produto não está calibrado para uso comercial ou científico. A temperatura pode variar  $\pm 3$  °C, mas encontra-se no intervalo ótimo para cada tipo de chá.

- Prima o botão **SELECT/TEMP** (Selecionar/Temperatura) até que a temperatura/chá pretendido se ilumine. A intensidade da infusão pretendida determina os tempos de infusão. O tempo de infusão correto depende do tipo de chá e da sua preferência pessoal da intensidade. The Tea Maker™ Compact permite escolher entre infusão suave, média e forte.
- Prima o botão **STRENGTH** (Intensidade) para selecionar a intensidade/tempo de infusão. Consulte a tabela **TIPO DE CHÁ** para saber os tempos de infusão. Ao selecionar a definição de chaleira, ferve a água à temperatura pretendida, mas não move o cesto de chá.
- Prima o botão **START/CANCEL** (Iniciar/Cancelar) para iniciar o aquecimento.

5. Quando a temperatura de infusão selecionada for atingida, o cesto de chá baixa automaticamente para a água aquecida. Mantém-se nesta posição até decorrer o tempo de infusão.
6. No final do ciclo de infusão de chá, o cesto de chá sobe automaticamente para a parte superior da jarra para evitar a infusão excessiva do chá. O alerta de chá emite 3 sinais sonoros para indicar que o chá está pronto.



## AVISO

O cesto de chá está demasiado quente após terminar a infusão de chá. Certifique-se de que a pega do cesto de chá arrefeceu antes de utilizá-la.

## KEEP WARM (MANTER QUENTE)

Se selecionada antes de aquecer, a função KEEP WARM (Manter Quente) dura 60 minutos após terminar a infusão de chá. Quando a jarra de vidro é removida da base elétrica, a função KEEP WARM (Manter Quente) é cancelada.

Para reativar durante mais 60 minutos, coloque a jarra de vidro com o chá restante na base elétrica e prima KEEP WARM (Manter Quente), a luz ilumina-se quando o botão é selecionado.

## FERVER ÁGUA

Para ferver água, remova o cesto de chá e encha a jarra de vidro com água. Coloque a tampa da jarra e coloque a jarra de vidro na base elétrica. Selecione a temperatura pretendida premindo o botão SELECT/TEMP (Selecionar/Temperatura) e prima o botão STRENGTH (Intensidade) para selecionar KETTLE (Chaleira).



## Cuidados e limpeza

### LIMPAR A JARRA DE VIDRO

- Esvazie a jarra de vidro após cada utilização. Não deixe o chá preparado na jarra de um dia para o outro. Deixe arrefecer completamente a jarra de vidro antes de limpar.
- Limpe o interior da jarra de vidro com uma esponja macia humedecida ou enxague com água morna.
- Limpe o exterior da jarra de vidro com um pano suave e húmido.



### AVISO

Nunca submerja ou lave o exterior da jarra de vidro em água corrente.



### NOTA

Não utilize agentes de limpeza químicos, palha de aço ou abrasivos para limpar o interior ou exterior da jarra de vidro porque podem riscar a superfície.

- Para remover a acumulação de taninos, o ingrediente químico adstringente do chá, retire o cesto do chá, encha a jarra de vidro com água até à marca MAX (Máximo), ferva a água e deixe arrefecer durante um minuto. Adicione o conteúdo do Sage Tea Maker Cleaner (disponível na página Web da Sage) e deixe repousar durante 5 minutos.

Esvazie a chaleira, encha com água limpa e ferva a água. Repita novamente este passo e enxague o interior da jarra de vidro. Seque cuidadosamente com um pano macio e limpo antes de utilizar.



### NOTA

Com o uso regular, a acumulação de calcário pode afetar o desempenho e a vida útil da sua Tea Maker™ Compact. O calcário e os fosfatos são formas comuns de calcificação que podem danificar a sua Sage Tea Maker™. A acumulação de calcário, um mineral inofensivo, aparece como uma manchas brancas ou de ferrugem nas paredes internas e na base interna da jarra de vidro. A acumulação de fosfatos não é visível, no entanto, pode provocar a turbidez da água aquecida. Para evitar que o calcário danifique a sua Tea Maker™ Compact, realize a descalcificação da jarra de vidro regularmente. Utilize o Sage Descaler (disponível na página Web da Sage) e siga as instruções.



### AVISO

Causa irritação cutânea. Lave as mãos cuidadosamente após a utilização. Use luvas protetoras/vestuário de proteção/proteção ocular/proteção facial.



### NOTA

Deixe arrefecer todas as partes da Sage Tea Maker™ Compact antes de desmontar e limpar.





## AVISO

Nunca submerja a base da jarra de vidro, a tampa de jarra, base elétrica, o cabo de alimentação ou a ficha em água nem permita que a humidade entre em contacto com estas peças.

## LIMPAR O CESTO

- Lave a tampa interior e o cesto de chá com uma esponja macia com água morna com sabão, enxague e seque devidamente.
- Pode utilizar um produto de limpeza líquido não abrasivo ou solução de pulverização suave para evitar a acumulação de manchas no cesto. Aplique o produto de limpeza na esponja e não diretamente na superfície do cesto.
- Aguarde até que todas as superfícies estejam devidamente secas antes de utilizar.

## LIMPAR A BASE ELÉTRICA

- Limpe a base elétrica com uma esponja suave e húmida.
- Aguarde até que todas as superfícies estejam devidamente secas antes de introduzir a ficha do cabo de alimentação numa tomada elétrica.

## ARMAZENAMENTO

- Certifique-se de que a chaleira Tea Maker™ Compact está desligada, limpa e seca antes de armazenar.
- Certifique-se de que o cesto de chá está corretamente montado.
- Certifique-se de que a tampa da jarra está fixa na jarra de vidro.
- Enrole o cabo de alimentação em volta do armazenamento do cabo sob a base elétrica.

Guarde a Tea Maker™ Compact na posição vertical na base elétrica. Não armazene nada na parte superior do aparelho.



## Resolução de problemas

PROBLEMA	O QUE FAZER
<b>The Tea Maker™ Compact não liga</b>	<ul style="list-style-type: none"><li>• Verifique se a ficha do cabo de alimentação está corretamente inserida na tomada.</li><li>• Insira a ficha do cabo de alimentação numa tomada independente.</li><li>• Insira a ficha do cabo de alimentação numa tomada diferente.</li><li>• Reponha o disjuntor se necessário.</li><li>• Para maior segurança, a chaleira Tea Maker™ Compact inclui um corte térmico. Em caso de sobreaquecimento, a Tea Maker™ Compact desliga-se automaticamente para impedir danos.</li></ul>
<b>A base elétrica da Tea Maker™ Compact não se ilumina e não é possível selecionar as funções</b>	<ul style="list-style-type: none"><li>• Retire a ficha do cabo de alimentação da tomada elétrica e volte a inseri-la. Retire e coloque novamente a jarra de vidro na base elétrica. Iluminam-se todos os botões e a Tea Maker™ Compact está agora pronta para usar.</li></ul>
<b>The Tea Maker™ Compact não funciona</b>	<ul style="list-style-type: none"><li>• Verifique se a jarra de vidro está corretamente colocada na base elétrica.</li></ul>
<b>Não consigo selecionar uma função específica</b>	<ul style="list-style-type: none"><li>• Não é possível selecionar ou alterar algumas funcionalidades durante o ciclo de aquecimento ou ciclo de infusão. As luzes LED no rebordo dos botões indicam a disponibilidade das funções.</li></ul>
<b>Após ferver a água, aparecem bolhas em volta do sensor de temperatura</b>	<ul style="list-style-type: none"><li>• Isto é normal para a funcionalidade da Tea Maker™ Compact.</li></ul>
<b>O chá tem um sabor fraco ou demasiado forte</b>	<ul style="list-style-type: none"><li>• Certifique-se de que selecionou a intensidade correta antes da infusão.</li><li>• Siga as instruções de limpeza neste manual.</li></ul>
<b>O cesto de chá não se move</b>	<ul style="list-style-type: none"><li>• O cesto de chá não se move durante o ciclo de aquecimento.</li><li>• O cesto de chá apenas começa a mover-se após atingir a temperatura selecionada. O cesto de chá permanece em baixo até decorrer o tempo de infusão.</li><li>• Retire a ficha da tomada elétrica, aguarde 10 segundos e volte a inseri-la.</li></ul>



## Garantia

### **GARANTIA LIMITADA DE 2 ANOS**

A Sage Appliances fornece uma garantia para este produto para uso doméstico nos territórios especificados de 2 anos a partir da data de compra contra avarias provocadas por defeitos na mão-de-obra e nos materiais. Durante este período da garantia, a Sage Appliances irá reparar, substituir ou reembolsar qualquer produto defeituoso (a exclusivo critério da Sage Appliances).

Todos os direitos legais da garantia ao abrigo da legislação nacional aplicável serão respeitados e não serão afetados pela nossa garantia. Visite [www.sageappliances.com](http://www.sageappliances.com) para consultar os termos e condições completos da garantia, bem como as instruções sobre como efetuar uma reivindicação.

GBR

BRG Appliances Limited  
Unit 3.2, Power Road Studios, 114 Power  
Road, London, W4 5PY

UK Landline: 0808 178 1650  
Mobile (National Rate): 0333 0142 970

DEU

AUT

Sage Appliances GmbH  
Campus Fichtenhain 48, 47807 Krefeld,  
Deutschland

Deutschland: 08005053104  
Österreich: 0800 80 2551

FRA

Sage Appliances France SAS  
Siège social : 66 avenue des Champs  
Elysées – 75008 Paris

879 449 866 RCS Paris  
France: 0800 903 235

BEL

Belgium  
0800 54 155

NLD

Netherlands  
0800 020 1741

LUX

Luxembourg  
0800 880 72

CHE

Switzerland  
0800 009 933

ESP

Spain  
0900 838 534

POR

Portugal  
0800 180 243

# Sage®

[www.sageappliances.com](http://www.sageappliances.com)

Registered in England & Wales No. 8223512  
Registered in Germany No. HRB 81309 (AG Düsseldorf)  
Registered in France No. 879 449 866 RCS

- Due to continued product improvement, the products illustrated or photographed in this document may vary slightly from the actual product.
- Aufgrund kontinuierlicher Produktverbesserungen kann das auf dieser Verpackung dargestellte Produkt leicht vom tatsächlichen Produkt abweichen.
- En raison de son amélioration continue, le produit représenté sur cet emballage peut différer légèrement du produit réel.
- A causa del continuo miglioramento dei prodotti, il prodotto illustrato su questa confezione può variare leggermente rispetto al prodotto reale.

- Vanwege de voortdurende verbetering van de producten kunnen de producten die in dit document worden geïllustreerd of gefotografeerd enigszins afwijken van het daadwerkelijke product.
- Perfeccionamos nuestros productos continuamente, por lo que el artículo podría diferir ligeramente de la ilustración o imagen en este documento.
- Devido à melhoria contínua dos produtos, os produtos ilustrados ou fotografados neste documento podem variar ligeiramente do produto real.

Copyright BRG Appliances 2020

BTM700/STM700 UG6 D20